



Wire rope accessories

5. Wire rope accessories

Index

1 General

- 1.1 About Hendrik Veder Group
- 1.2 Trade names
- 1.3 Certified Quality
- 1.4 Certificates
- 1.5 Key suppliers & brands
- 1.6 Contact information
- 1.7 Locations
- 1.8 General terms & conditions

2 Heavy lifting slings

- 2.1 Operations overview
- 2.2 Single laid slings
- 2.3 Cable-laid & grommet slings

3 Services

- 3.2 Inspection & (re-)certification
- 3.3 (Load-)testing / load testing of cranes
- 3.4 Reeving and unreeving of cranes and winches
- 3.5 Reconditioning and overhaul
- 3.5 Complete annual and quadrennial lifeboat surveys

4 Steel wire rope

- 4.1 6-strand
- 4.12 8-strand
- 4.16 Non-rotating | Non-compacted
- 4.19 Non-rotating | Compacted
- 4.20 Stainless steel
- 4.25 Swaged forestry ropes
- 4.27 Branded special wire ropes

5 Wire rope accessories

- 5.1 Thimbles
- 5.18 Sockets
- 5.51 Socketing compound
- 5.52 Wire rope clips

6 Fibre ropes

- 6.1 High Modulus Polyethylene
- 6.2 High strength Polyester/Polypropylene (50:50)
- 6.3 High strength Polyester/Polypropylene (20:80)
- 6.4 High strength Polypropylene
- 6.5 Nylon mono and multifilament
- 6.6 Winchline; Mooring tails
- 6.7 Polypropylene
- 6.8 Polyester
- 6.9 Nylon
- 6.10 Manila

7 Synthetic slings

- 7.1 Flat webbing & round slings

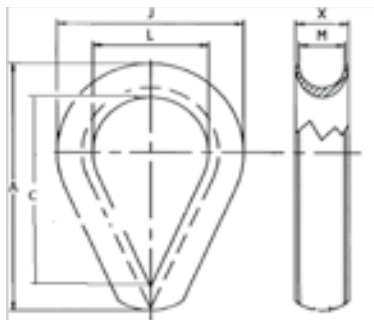
8 Lifting & rigging gears

- 8.1 Shackles
- 8.54 Links
- 8.87 Hooks
- 8.125 Turnbuckles
- 8.149 Load binders
- 8.156 Hoists
- 8.169 Lifting points
- 8.190 Blocks & sheaves
- 8.228 Lifting clamps
- 8.256 Swivels

9 Mooring & towing

- 9.1 Main tow bridle
- 9.2 Mooring points
- 9.3 Studlink chaincable test loads
- 9.4 Shackles
- 9.5 Thimbles
- 9.6 Hooks
- 9.7 Sockets
- 9.8 Swivels
- 9.9 Triangle plate
- 9.10 Towing & mooring, anchor and pennant lines
- 9.11 Mooring ropes (8 strand)
- 9.12 Wire tow rope protectors

Heavy duty stub-end thimble

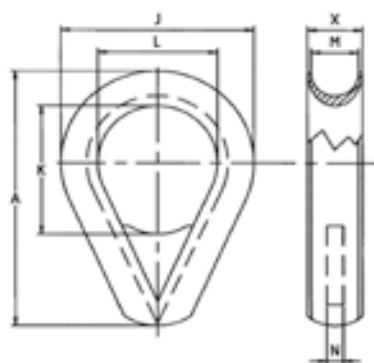


Suitable for wire rope
Material: Mild steel
Finish: Galvanized

Special dimensions on request.
Tolerance 5%

A	J	C	L	M	X	Weight
Inch	mm	mm	mm	mm	mm	Kg/100pcs
2"	42	35	22	9	14	8
2 1/2"	50	45	30	11	16	10
3"	50	55	35	13	18	20
3 1/2"	73	65	45	15	20	26
4"	75	75	50	17	22	36
4 1/2"	85	80	53	19	25	50
5"	100	90	60	21	29	60
5 1/2"	110	95	65	23	33	70
6"	115	120	70	25	34	100
7"	135	140	80	30	38	160
8"	155	160	100	33	44	180
9"	175	185	115	38	49	350
10"	190	195	120	41	52	440
11"	210	215	130	46	60	520
12"	225	240	140	52	65	730
14"	240	250	150	60	72	1,100
17"	290	310	180	70	88	1,700

Heavy duty stub-end thimble with plate



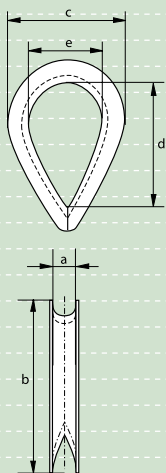
Suitable for wire rope
Material: Mild steel
Finish: Galvanized

Special dimensions on request.
Tolerance 5%

A	J	K	L	M	N	X	Weight
Inch	mm	mm	mm	mm	mm	mm	Kg/100pcs
4"	75	50	50	17	5	22	40
4 1/2"	85	50	53	19	5	25	50
5"	100	60	60	21	5	29	80
5 1/2"	110	60	65	23	5	33	90
6"	115	70	70	25	10	34	100
7"	135	75	80	30	10	38	170
8"	155	80	100	33	10	44	250
9"	175	110	115	38	10	49	400
10"	190	120	120	41	15	52	450
11"	210	130	130	46	15	60	700
12"	225	140	140	52	15	65	830
14"	240	150	150	56	20	68	1,260
17"	290	185	180	72	20	88	1,880
19"	340	225	220	82	20	122	3,060
22"	372	280	240	92	20	132	3,700
24"	396	280	250	105	20	145	4,600
26"	445	290	280	135	33	173	5,600
26" special	490	290	308	135	33	173	7,100
30"	490	290	308	135	35	173	8,350



E-6110



Thimbles

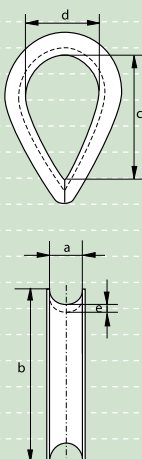
standard commercial

- **Material** : mild steel
- **Finish** : electro-galvanized
- **Certification** : a works certificate can be supplied upon request

diameter rope	width groove	length	width inside	length inside	width inside	weight per 100 pcs
mm	a	b	c	d	e	kg
3	3	24	18	15	10	0.4
4	4	25	19	16	11	0.4
5	5	31	22	22	16	0.8
6	6	37	29	26	19	1.4
7	7	44	32	32	22	2
8	8	51	38	34	24	2.8
9	9	57	42	38	29	3
10	10	64	44	42	32	4.8
11	11	70	51	48	35	7.5
12	12	76	57	51	38	8
14	14	82	60	57	40	10
16	16	89	64	60	42	15
18	18	102	69	67	45	22
20	20	115	79	76	51	25
22	22	127	89	83	54	32
24	24	140	102	88	64	46
26	26	152	105	102	68	66
28	28	165	115	110	73	77
30	30	178	121	115	79	80
32	32	203	133	140	93	130



G-6120



Thimbles

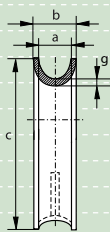
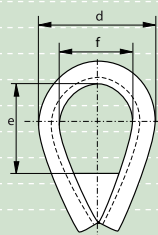
heavy duty stub-end

- **Material** : mild steel
- **Finish** : hot dipped galvanized
- **Certification** : a works certificate can be supplied upon request

diameter rope	width groove	length	length inside	width inside	thickness back	weight per 100 pcs
mm	a	b	c	d	e	kg
8	8	51	35	22	4	6
10	10	64	47	30	4	7
12	12	76	57	35	5	14
14	14	89	65	45	6	22
16	16	102	76	50	6	24
18	18	114	86	53	8	43
20	20	127	94	60	9	65
22	22	140	107	65	10	93
24	24	152	114	70	10	102
28	28	178	130	80	10.5	135
32	32	203	157	100	10.5	162
36	36	229	177	115	12	363
40	40	254	198	120	12	376
44	44	279	214	130	15	608
50	50	305	215	140	20	960
56	56	356	245	160	20	1400
64	64	407	275	180	20	1700



G-6128



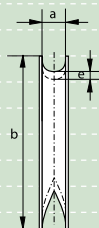
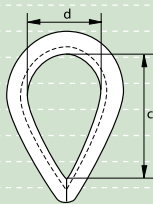
Thimbles

Heavy Duty Stub-end, reinforced with welded fillet plate

- **Material** : mild steel
- **Finish** : hot dipped galvanized
reinforced with a welded fillet plate
- **Certification** : a works certificate can be supplied upon request

width groove	width overall	length	width	length inside	width inside	thickness back	weight per piece
a	b	c	d	e	f	g	kg
mm	mm	mm	mm	mm	mm	mm	
35	55	220	150	100	80	10	3.2
40	65	245	160	120	90	12	5.1
50	80	290	200	125	110	16	9.2
62	100	360	250	160	140	20	17.4
72	115	390	265	175	160	20	19.4
85	125	470	300	245	190	20	29
100	150	540	370	290	200	25	39
115	165	570	380	300	210	25	52



E-6131
G-6131

Thimbles

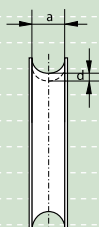
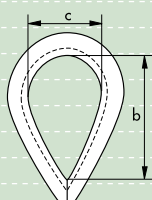
generally to DIN 6899 (B)

- **Material** : mild steel
- **Standard** : generally to DIN 6899 (B)
- **Finish** : thimbles for rope diameters up to and including 6 mm are electro-galvanized, other diameters are hot dipped galvanized
- **Certification** : a works certificate can be supplied upon request

diameter rope	width groove	length	length inside	width inside	thickness back	weight per 100 pcs
mm	a mm	b mm	c mm	d mm	e mm	kg
2.5	3	22	19	12	1.6	0.6
3.5	4	26	21	13	1.6	0.7
4	5	32	23	14	1.9	0.9
5	6	38	25	16	2.4	1.8
6	7	44	28	18	2.4	1.9
7	8	51	32	20	2.8	2.7
9	10	57	38	24	3.1	4.1
11	12	64	45	28	3.3	6.9
13	13	70	48	30	3.3	7.6
13	14	76	51	32	3.7	9.2
15	16	83	58	36	3.8	16.4
16	17	89	61	38	4.7	19
17	18	95	64	40	4.7	20.3
18	20	102	72	45	5.7	27.3
20	22	114	80	50	5.7	28.6
22	24	127	90	56	6.5	44.8
24	26	140	99	62	6.8	57.7
26	28	152	112	70	8	72
28	30	165	120	75	8	104
30	32	178	128	80	8	115
32	34	203	152	95	8.5	153
34	36	216	160	100	8.5	176
36	38	229	176	110	8.5	195
38	40	241	184	115	10.5	292
40	42	254	192	120	10.5	320
42	45	305	240	150	10.5	364
47	50	360	265	160	12	535
57	60	380	275	170	12	790
63	65	420	300	180	13	830
72	75	460	350	200	15	1200
87	90	500	370	210	18	2600
97	100	550	380	220	20	3050



G-6133



Thimbles

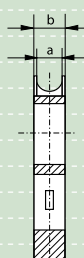
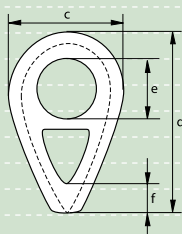
generally to DIN 83311

- **Material** : mild steel
- **Standard** : generally to DIN 83311
- **Finish** : hot dipped galvanized
- **Certification** : a works certificate can be supplied upon request

nominal size	width groove	length inside	width inside	thickness back	weight per 100 pcs
	a mm	b mm	c mm	d mm	kg
0.4	8	36	20	3	4.5
0.6	11	50	28	4	9.5
1	13	60	32	5	18
1.6	15	68	38	6	24
2	17	76	42	7	38
2.5	19	85	48	8	50
3	21	95	53	9	70
4	24	110	60	10	110
5	28	125	70	10.5	141
6	30	135	75	12	254
8	34	150	85	13	282
10	38	170	95	15	418
12	42	190	105	16	513
16	46	205	115	16	550
20	50	225	125	18	930
25	56	250	140	20	1303
31	62	280	155	21	1363
40	68	306	170	23	1930



S-6134

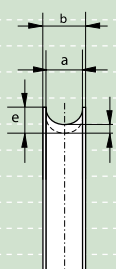
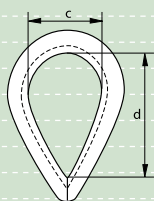


Thimbles

according to DIN 3091

- **Material** : cast mild steel, (GTW 40)
- **Standard** : according to DIN 3091
- **Finish** : self coloured
- **Certification** : a works certificate can be supplied upon request

diameter rope	width groove	width overall	width	length	diameter	length	weight per 100 pcs
mm	a mm	b mm	c mm	d mm	e mm	f mm	kg
8	9	15	40	66	14	-	18
10	11	17.5	50	82	18	-	32
12	13	20	60	98	21	-	52
14	16	23.5	70	114	25	-	80
16	18	26	80	130	28	16	90
18	20	28.5	90	145	31	18	121
20	22	31	100	161	35	20	161
22	24	33.5	110	177	38	22	211
24	26	36	120	193	41	24	271
26	29	39.5	130	209	44	26	355
28	31	42	140	224	47	28	420
32	35	47	160	256	53	32	630
36	40	53	180	288	59	36	884
40	44	58	200	320	65	40	1100
44	48	63	220	352	70	44	1500
48	53	69	240	384	76	48	2000
52	57	74	260	416	81	52	2500
56	62	80	280	448	86	56	3200
64	70	90	320	512	95	64	4600
72	79	101	360	576	104	72	6600
80	88	112	400	640	112	80	9000


 E-6135
 G-6135


Thimbles

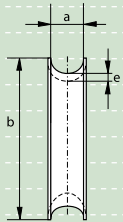
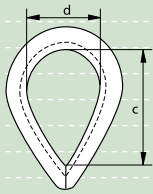
generally to DIN 3090

- **Material** : mild steel
- **Standard** : generally to DIN 3090
- **Finish** : for diameter 4 and 6 mm electro-galvanized
other diameters hot dipped galvanized
- **Certification** : a works certificate can be supplied upon request

diameter wire rope	width groove	width overall	width inside	length inside	thickness	thickness back	weight per 100 pcs
mm	a	b	c	d	e	f	kg
4	5	9	10	20	5.1	2.1	1.4
6	7	12	15	30	7.1	2.6	3
8	9	13	20	40	11	4	7.1
10	11	16	25	50	14	5	17
12	13	19	30	60	16	6	24
14	16	22	35	70	17	7	36
16	18	25	40	80	19	8	50
18	20	27	45	90	21	9	62
20	22	32	50	100	23	10	90
22	24	33	55	110	24	10	100
24	26	37	60	120	27	11	130
26	29	46	65	130	30	12	220
28	31	50	70	140	33	12	240
32	35	55	80	160	38	14	270
36	40	60	90	180	42	16	430
40	44	65	100	200	46	18	570
44	48	70	110	220	53	20	850
48	53	75	120	240	58	22	1120
52	57	80	130	260	64	25	1530
56	62	85	140	280	67	25	2148
60	66	90	150	300	70	25	2300
64	70	95	160	320	78	30	3500
68	75	100	170	340	81	30	3700
72	79	105	180	360	84	30	4100
76	84	115	190	380	87	30	4600
80	88	120	200	400	90	30	5400



G-6170



Thimbles

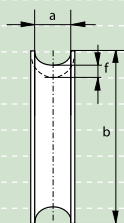
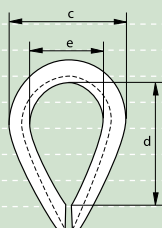
generally to EN13411-1

- **Material** : mild steel
- **Standard** : generally to EN13411-1 formerly BS 464
- **Finish** : hot dipped galvanized
- **Certification** : a works certificate can be supplied upon request

diameter rope		width groove	length	length inside	width inside	thickness back	weight per 100 pcs
inch	mm	a mm	b mm	c mm	d mm	e mm	kg
$\frac{3}{16}$	5	5.5	44	28	19	3	3.5
$\frac{1}{4}$	7	6	48	30	20	3.5	5.4
$\frac{5}{16}$	8	8	54	33	22	4	5.7
$\frac{3}{8}$	10	10	64	38	25	4.8	7.6
$\frac{7}{16}$	11	13	73	41	29	4.8	14.2
$\frac{1}{2}$	13	14	80	44	32	5.6	18
$\frac{9}{16}$	15	15	80	44	32	5.6	18.9
$\frac{5}{8}$	16	17	98	59	41	7.9	34
$\frac{11}{16}$	17	19	108	67	44	7.9	39.7
$\frac{3}{4}$	19	20	124	73	51	9.5	62.4
$\frac{13}{16}$	21	21	124	73	51	9.5	62.4
$\frac{7}{8}$	22	23	133	83	57	9.5	75.6
$\frac{15}{16}$	24	25	146	92	64	10.3	106
1	25	27	162	108	70	10.3	125
1 $\frac{1}{8}$	28	29	178	111	76	12.7	151
1 $\frac{1}{4}$	32	33	197	133	95	12.7	204
1 $\frac{3}{8}$	35	38	229	152	105	15.9	318
1 $\frac{1}{2}$	38	41	254	165	114	17.5	488
1 $\frac{5}{8}$	42	46	254	165	114	17.5	499
1 $\frac{3}{4}$	45	51	286	178	127	25.4	556
1 $\frac{7}{8}$	47	60	318	191	133	28.6	-
2	50	64	330	203	140	28.6	-
2 $\frac{1}{8}$	54	64	330	203	140	28.6	-
2 $\frac{1}{4}$	57	67	356	216	146	30.2	-
2 $\frac{1}{2}$	65	70	413	241	159	31.8	-
2 $\frac{3}{4}$	70	86	502	273	203	41.3	-



G-6142



Thimbles

generally to US Fed. Spec. FF-T-276b type III

- **Material** : mild steel
- **Standard** : generally to US Federal Specification FF-T-276b type III
- **Finish** : hot dipped galvanized
- **Certification** : a works certificate can be supplied upon request

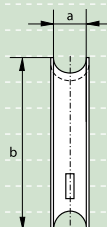
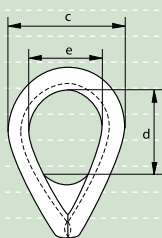
diameter rope	width groove	length	width	length inside	width inside	thickness back	weight per 100 pcs
mm	a	b	c	d	e	f	kg
6	7	55.5	38	41	22	1.6	3.4
8	9	63.5	46	47.5	27	2	6.3
9	10	73	54	54	28.5	2.8	11.3
11	12	82.5	60	60	32	3.2	16.2
13	13.5	92	70	70	38	3.6	23
14	15	92	68	70	38	3.6	23
16	16.5	108	79	82.5	44.5	4	33.8
19	20	127	97	95	51	5.5	66.2
22	24	140	108	108	57	5.5	83.3
25	27	156	125	114	63.5	6.3	135
28 - 32	30	178	149	130	73	6.3	185
32 - 35	33	205	173	159	89	12.7	375
35 - 38	36.5	229	181	165	89	12.7	540
41	43.5	286	206	203	102	12.7	731
45	47	310	216	229	114	12.7	810
48 - 51	50	384	264	305	152	12.7	1170
57	59.5	435	302	356	178	12.7	1935
64	66	464	311	378	178	19	2640
76	78.5	514	356	419	200	19	3850

In inch

diameter rope	width groove	length	width	length inside	width inside	thickness back	weight per 100 pcs
inch	a	b	c	d	e	f	lbs
1/4	9/32	2 3/16	1 1/2	1 5/8	7/8	1/16	7.5
5/16	11/32	2 1/2	1 13/16	1 7/8	1 1/16	5/64	13.9
3/8	13/32	2 7/8	2 1/8	2 1/8	1 1/8	7/64	24.9
7/16	15/32	3 1/4	2 3/8	2 3/8	1 1/4	1/8	35.7
1/2	17/32	3 5/8	2 3/4	2 3/4	1 1/2	9/64	50.7
9/16	19/32	3 5/8	2 11/16	2 3/4	1 1/2	9/64	50.7
5/8	21/32	4 1/4	3 1/8	3 1/4	1 3/4	5/32	74.5
3/4	25/32	5	3 13/16	3 3/4	2	7/32	146
7/8	15/16	5 1/2	4 1/4	4 1/4	2 1/4	7/32	184
1	1 1/16	6 1/8	4 15/16	4 1/2	2 1/2	1/4	298
1 1/8 - 1 1/4	1 3/16	7	5 7/8	5 1/8	2 7/8	1/4	408
1 1/4 - 1 3/8	1 5/16	8 1/16	6 13/16	6 1/4	3 1/2	1/2	827
1 3/8 - 1 1/2	1 7/16	9	7 1/8	6 1/2	3 1/2	1/2	1191
1 5/8	1 23/32	11 1/4	8 1/8	8	4	1/2	1612
1 3/4	1 27/32	12 3/16	8 1/2	9	4 1/2	1/2	1786
1 7/8 - 2	1 31/32	15 1/8	10 3/8	12	6	1/2	2579
2 1/4	2 11/32	17 1/8	11 7/8	14	7	1/2	4266
2 1/2	2 19/32	18 1/4	12 1/4	14 7/8	7	3/4	5820
3	3 3/32	20 1/4	14	16 1/2	7 7/8	3/4	8488



G-6151



Thimbles

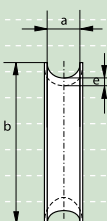
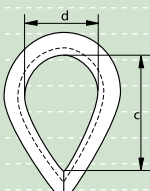
pennant line type

- **Material** : mild steel
- **Finish** : hot dipped galvanized
produced with a welded fillet plate
- **Certification** : a works certificate can be supplied upon request

diameter wire rope	width groove	length	width	length inside	width inside	weight each
mm	a	b	c	d	e	kg
16	17	102	75	50	50	0.4
18	19	114	85	50	53	0.5
20	21	127	100	60	60	0.8
22	23	140	110	60	65	0.9
24	25	152	115	70	70	1
28	30	178	135	75	80	1.7
30	33	203	155	80	100	2.5
36	38	229	175	110	115	4
40	41	254	190	120	120	4.5
44	46	279	210	120	130	7
50	52	305	225	140	140	8.3
56	60	356	240	150	150	12.5
64	70	432	290	185	180	19.5
76	81	483	320	225	220	29
82	92	559	375	280	240	35
90	105	610	410	280	250	42
120	130	660	450	280	280	58



E-6180



Thimbles

for rope

- **Material** : mild steel
- **Finish** : electro-galvanized
- **Certification** : a works certificate can be supplied upon request

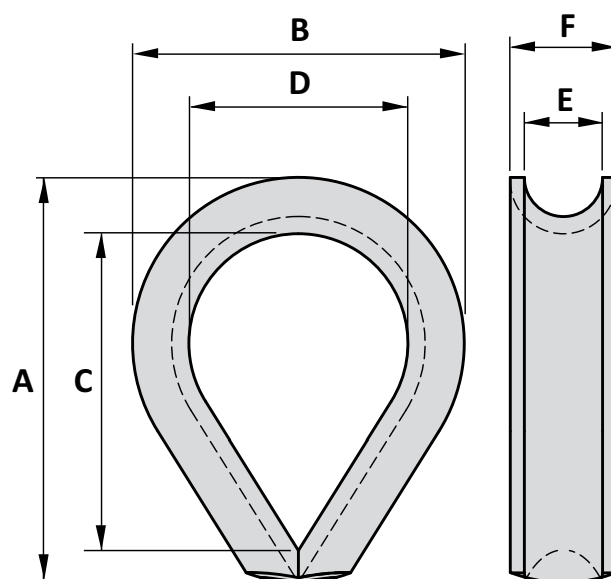
width groove	length	length inside	width inside	thickness back	weight per 100 pcs
a	b	c	d	e	kg
8	43	27	16	1	1.1
10	50	30	19	1.5	1.7
12	55	36	22	1.75	3
14	60	41	24	2	3.5
16	66	43	26	2.5	8
18	77	47	30	3	13
20	91	58	35	3	16
22	100	67	38	3	24
25	115	71	45	3	25
30	140	91	55	3	43
35	140	91	55	3	45
38	140	91	55	4	45

HEAVY DUTY STUB-END THIMBLE

TYPE K2

Suitable for wire rope

Material : Mild steel
Finish : Galvanised
Certificate : Certificate of Conformity
on request



Art. No.	A inch	B mm	C mm	D mm	E mm	F mm	Packing	Weight kg/100
11020000	2"	42	35	22	9	14	600	8
11025000	2½"	50	45	30	11	16	400	10
11030000	3"	50	55	35	13	18	300	20
11035000	3½"	73	65	45	15	20	150	26
11040000	4"	75	75	50	17	22	150	36
11045000	4½"	85	80	53	19	25	75	50
11050000	5"	100	90	60	21	29	75	60
11055000	5½"	110	95	65	23	33	40	70
11060000	6"	115	120	70	25	34	40	100
11070000	7"	135	140	80	30	38	25	160
11080000	8"	155	160	100	33	44	20	180
11090000	9"	175	185	115	38	49		350
11100000	10"	190	195	120	41	52		440
11110000	11"	210	215	130	46	60		520
11120000	12"	225	240	140	52	65		730
11140000	14"	240	250	150	60	72		1100
11170000	17"	290	310	180	70	82		1700
11190000	19"	320	360	220	81	119		2800
11220000	22"	375	405	240	92	127		3400
11240000	24"	410	450	250	105	145		4400
11260000	26"	450	480	280	120	155		5600

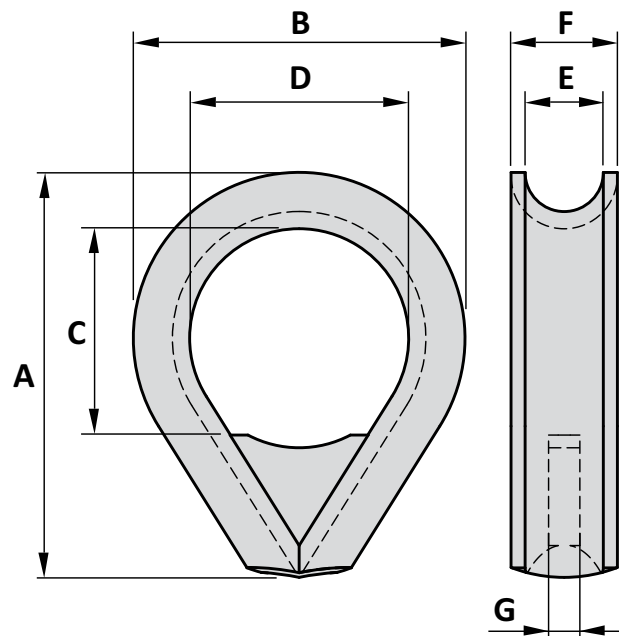
Tolerance: Forged parts ± 5%

HEAVY DUTY STUB-END THIMBLE REINFORCED

TYPE K2-B

Suitable for wire rope

Material : Mild steel
Finish : Galvanised
Certificate : Certificate of Conformity
on request



Art. No.	A inch	B mm	C mm	D mm	E mm	F mm	G mm	Packing	Weight kg/100
11040999	4"	75	50	50	17	22	6	10	40
11045999	4½"	85	50	53	19	25	6	10	50
11050999	5"	100	60	60	21	29	8	10	80
11055999	5½"	110	60	65	23	33	8	10	90
11069999	6"	115	70	70	25	34	8	10	100
11079999	7"	135	75	80	30	38	10	10	170
11089999	8"	155	80	100	33	44	10		250
11099999	9"	175	110	115	38	49	10		400
11109999	10"	190	120	120	41	52	15		450
11119999	11"	210	120	130	46	60	15		700
11129999	12"	225	140	140	52	65	15		830
11149999	14"	240	150	150	60	72	20		1250
11179999	17"	290	185	180	70	82	20		1950
11199999	19"	320	225	220	81	119	20		2900
11229999	22"	375	280	240	92	127	20		3500
11249999	24"	410	280	250	105	145	25		4200
11269999	26"	450	280	280	120	155	30		5800

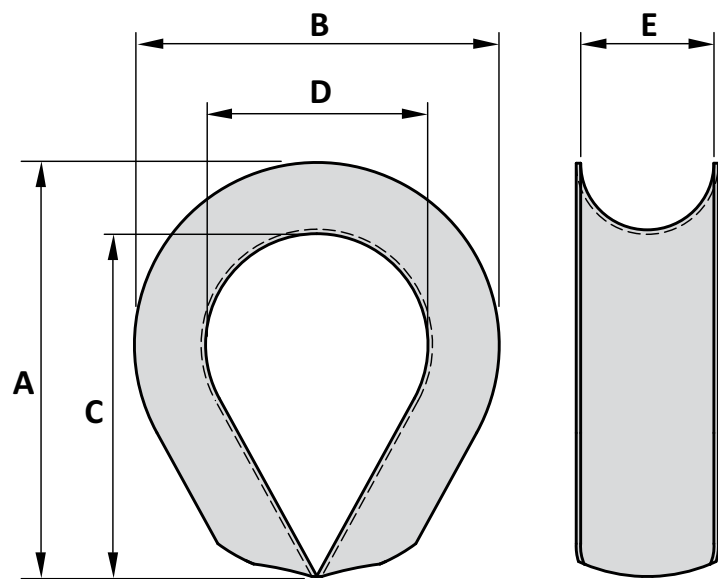
Tolerance: Forged parts ± 5%

FIBRE ROPE THIMBLE

TYPE K3

Suitable for fibre rope

Material : Mild steel
 Finish : Galvanised
 Certificate : Certificate of Conformity
 on request



Art. No.	A inch	B mm	C mm	D mm	E mm	Packing	Weight kg/100
12022500	2¼"	47	42	26	16	25	8
12025000	2½"	55	48	32	18	25	14
12030000	3"	64	58	38	20	25	25
12032500	3¼"	73	60	39	22	25	26
12035000	3½"	80	74	47	25	25	28
12040000	4"	75	78	50	32	50	50
12050000	5"	110	95	65	40	25	80
12060000	6"	120	115	75	48	10	90
12070000	7"	140	140	85	56	10	180
12080000	8"	160	160	105	64		310
12090000	9"	180	175	110	72		530
12100000	10"	200	190	120	80		650
12110000	11"	220	210	145	88		800
12120000	12"	245	230	150	102		1000
12140000	14"	300	290	170	115		1600
12160000	16"	320	310	185	130		2000
12180000	18"	350	340	205	150		3000

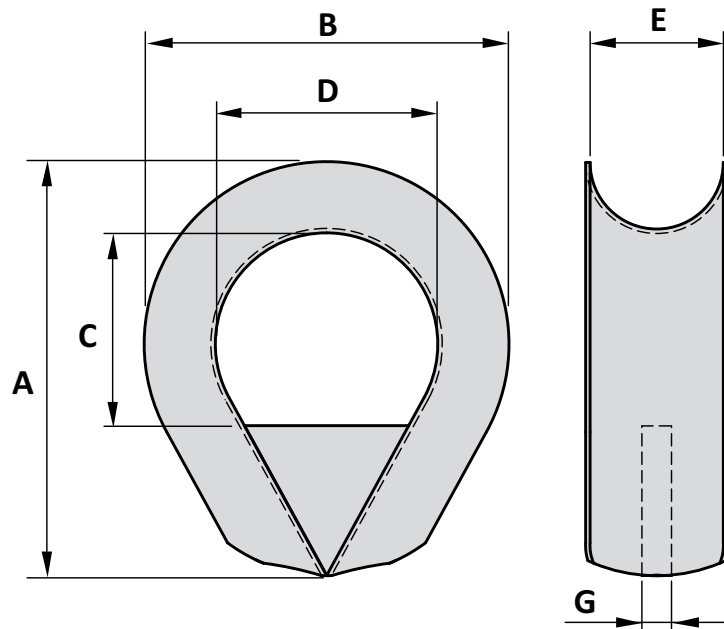
Tolerance: Forged parts \pm 5%

FIBRE ROPE THIMBLE REINFORCED

TYPE K3-B

Suitable for fibre rope

Material : Mild steel
Finish : Galvanised
Certificate : Certificate of Conformity
on request



Art. No.	A inch	B mm	C mm	D mm	E mm	G mm	Packing	Weight kg/100
12059999	5"	110	50	65	40	10	10	80
12069999	6"	120	65	75	48	10	10	130
12079999	7"	140	90	85	56	10	10	190
12089999	8"	160	95	105	64	10		340
12099999	9"	180	100	110	72	10		580
12109990	10"	200	115	120	80	10		690
12119999	11"	220	135	145	88	15		850
12129999	12"	245	135	150	102	15		1200
12149999	14"	300	135	170	115	15		1950
12169999	16"	320	150	185	130	20		2000
12189999	18"	350	200	205	150	20		3000

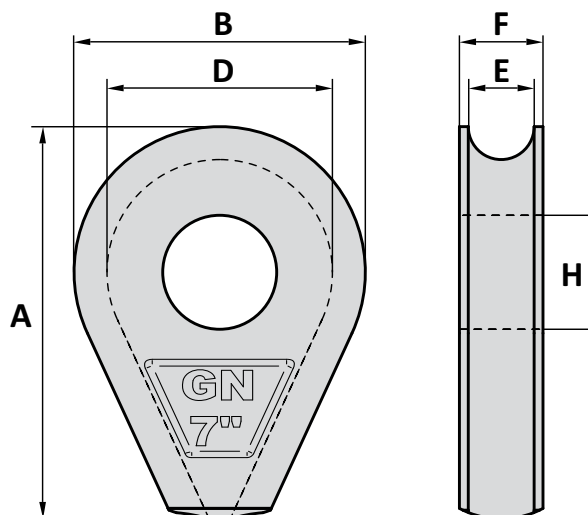
Tolerance: Forged parts \pm 5%

SOLID THIMBLE

TYPE K5

Suitable for wire rope

Material : Duc tail iron GGG50
 Finish : Painted/galvanised on request
 Certificate : Certificate of Conformity
 on request



For the correct article number fill in the hole diameter on the grey and underscored numbers.

Special holes for fittings or holes with bushes on request.

Art. No.	Size inch	Rope size mm	A mm	B mm	D mm	E mm	F mm	H mm	Weight kg
16020000	2"	8	66	40	31	9	15	14	0.16
16027500	2½"	10	82	50	38	11	18	18	0.3
16030000	3"	12	98	60	45	13	20	21	0.5
16035000	3½"	14	114	70	53	16	24	25	0.7
16040 <u>40</u> 0	4"	16/18	110	75	58	19	26	30/38/40	0.7
16050 <u>45</u> 0	5"	20/22	130	92	65	23	30	30/40/45	1.2
16060 <u>55</u> 0	6"	23/25	150	110	82	26	33	30/40/45/55	2
16070 <u>60</u> 0	7"	28/30	180	127	96	32	40	30/40/52/60	3
16080 <u>70</u> 0	8"	32/34	200	140	100	35	43	30/42/55/70	4
16090 <u>100</u>	9"	36/38	225	160	122	39	47	50/70/90/100	5
16100 <u>100</u>	10"	40/42	250	170	127	43	57	50/70/90/100	8
16120 <u>105</u>	12"	44/48	305	210	160	54	69	60/80/105	15
16140 <u>110</u>	14"	50/55	355	240	181	61	80	75/110	24
16170 <u>122</u>	17"	58/65	431	290	230	68	92	85/122	44
16230130	23"	70/75	597	387	310	88	114	130	103

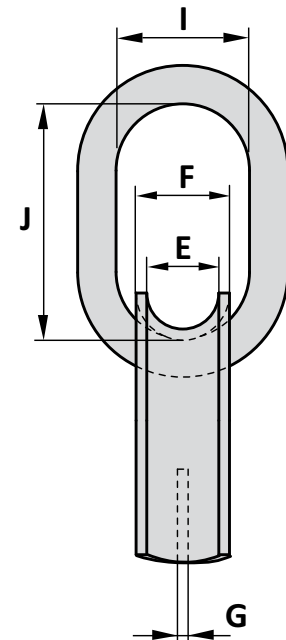
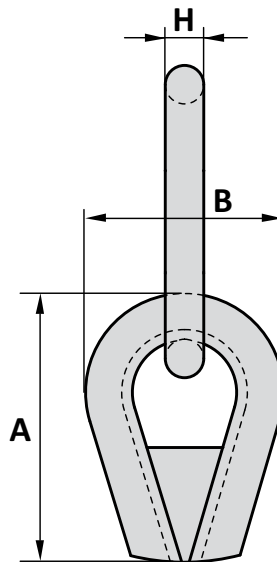
Tolerance: ± 5%

THIMBLE WITH LINK

TYPE K10

Suitable for fibre rope

- Material : Thimble mild steel
Link alloy steel queched and tempered
- Finish : Painted
- Certificate : Certificate of Conformity
on request



Link can be connected to different types of thimbles on request.

Art. No.	Rope size inch	A mm	B mm	E mm	F mm	G mm	H mm	I mm	J mm	MBL link ton	Weight kg
17090000	9"/10½"	370	290	100	130	16	51	190	350	144	37
17090000	9"/10½"	370	290	100	130	16	57	200	400	188	45
17125000	12½"/13"	450	330	115	155	20	57	200	400	188	57
17125000	12½"/13"	450	330	115	155	20	63	230	430	232	64
17140000	14"/15"	520	370	135	175	20	63	230	430	232	80
17140000	14"/15"	520	370	135	175	20	72	250	440	336	94
17160000	16"/18"	580	390	155	195	20	72	250	440	336	98
17160000	16"/18"	580	390	155	195	20	80	250	450	420	114
17190000	19"/20"	600	440	170	210	20	80	250	450	420	127
17190000	19"/20"	600	440	170	210	20	90	300	460	524	140
17210000	20"/21"	600	440	180	220	20	90	300	460	524	180
17210000	20"/21"	600	440	180	220	20	100	300	500	628	195
17210000	20"/21"	600	440	180	220	20	115	400	600	1000	285

Tolerance: Forged parts ± 5%



Wire rope thimbles

G-411

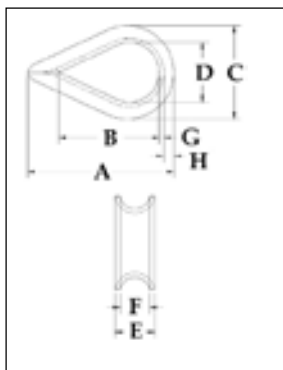


- Hot Dip galvanized steel.
- The standard choice for light duty applications and loading conditions.
- Meets the performance requirements of EN13411-1:2002.

G-411 meets the performance requirements of Federal Specification FF-T-276b Type II, except for those provisions required of the contractor.

Standard Wire Rope Thimbles

Rope Dia.		G-411 Stock No	Weight Per 100 (kg)	Dimensions (mm)							
(mm)	(in.)			A	B	C	D	E	F	G	H
3-4	1/8	1037256	1.59	49.3	33.3	26.9	17.5	6.35	4.05	1.25	3.30
5	3/16	1037274	1.59	49.3	33.3	26.9	17.5	7.85	5.60	1.25	3.30
6-7	1/4	1037292	1.59	49.3	33.3	26.9	17.5	9.65	7.10	1.25	3.30
8	5/16	1037318	1.81	54.0	38.1	31.8	20.6	11.2	8.65	1.25	3.30
9-10	3/8	1037336	3.04	60.5	41.4	37.3	23.9	13.5	10.4	1.50	4.06
11-13	1/2	1037354	5.67	70.0	47.8	44.5	28.7	17.5	13.5	2.05	4.83
16	5/8	1037372	15.7	89.0	57.0	60.5	35.1	23.1	16.8	3.30	8.64
18-20	3/4	1037390	21.4	95.5	63.5	68.5	41.4	27.4	19.8	3.55	8.64
22	7/8	1037416	38.4	127	89.0	81.0	47.8	32.3	23.9	4.05	11.2
24-26	1	1037434	44.2	145	108	95.5	63.5	35.3	26.9	4.05	10.4
28-32	1-1/8 - 1-1/4	1037452	79	159	114	109	70.0	44.5	33.3	5.60	12.7



G-414



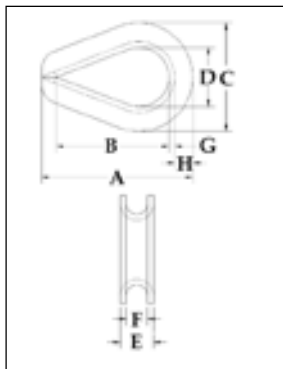
- Available in Hot Dip galvanized or Stainless Steel (Type 304).
- Meets the performance requirements of EN13411-1:2002.
- Stainless steel recommended for more corrosive environments where greater protection is required.
- Greater protection against wear and deformation of the wire rope eye.
- Longer service life.

G-414 meets the performance requirements of Federal Specification FF-T-276b Type III, except for those provisions required of the contractor.

Extra Heavy Wire Rope Thimbles

Rope Dia.		Stock No.		Weight Per 100 (kg)	Dimensions (mm)							
(mm)	(in.)	G-414 Galv.	SS-414 Stainless		A	B	C	D	E	F	G	H
6-7	1/4	1037639	1037960	2.95	55.5	41.4	38.1	22.4	11.2	7.10	1.50	5.85
* 8	5/16	1037657	1037988	5.35	63.5	47.8	46.0	26.9	14.0	8.65	2.05	7.10
* 9-10	3/8	1037675	1038004	9.80	73.0	54.0	54.0	28.7	16.8	10.4	2.80	8.65
11-12	7/16	1037693	-	15.7	82.5	60.5	60.5	31.8	18.8	11.9	3.30	9.65
* 13-15	1/2 - 9/16	1037719	1038022	23.1	92.0	70.0	70.0	38.1	23.4	13.5	3.55	10.4
* 16	5/8	1037755	1038040	34.3	108	82.5	79.5	44.5	26.2	16.8	4.05	12.7
* 18-20	3/4	1037773	1038068	72	127	95.5	96.5	51.0	33.0	19.8	5.60	16.8
22	7/8	1037791	-	81	140	108	108	57.0	37.3	23.9	5.60	19.1
24-26	1	1037817	-	142	156	114	125	63.5	44.5	26.9	6.35	22.4
28-32	1-1/8 - 1-1/4	1037835	-	181	178	130	149	73.0	47.8	33.3	6.35	28.7
32-35	1-1/4 - 1-3/8	1037853	-	402	230	165	173	89.0	57.2	36.6	9.65	28.7
35-38	1-3/8 - 1-1/2	1037871	-	587	229	159	181	89.0	66.5	39.6	12.7	28.7
40	1-5/8	1037899	-	771	286	203	207	102	76.2	43.7	12.7	35.1
44	1-3/4	1037915	-	805	310	229	216	114	77.7	46.7	12.7	33.3
48-52	1-7/8 - 2	1037933	-	1259	384	305	264	152	85.9	53.0	12.7	38.1
56	2-1/4	1037951	-	1792	435	356	302	178	98.6	60.5	16.0	41.4

*SS-414 sizes available in stainless steel type 304



Wire rope thimbles

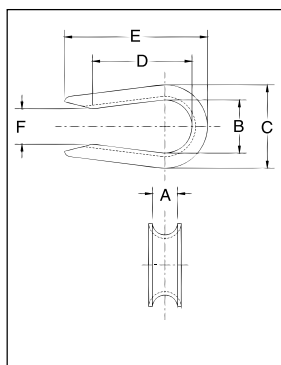
G-408 (OPEN PATTERN)



Open Pattern Thimbles

- Hot Dip galvanized Steel.
- Meets the performance requirements of EN13411-1:2002.
- Recommended for light duty applications in which it is being assembled into another fitting (i.e., shackle or master link).

Rope Dia.		G-408 Stock No.	Weight Per 100 (kg)	Dimensions (mm)					
(mm)	(in.)			A	B	C	D	E	F
6-7	1/4	1037531	1.36	7.10	17.5	26.9	35.8	51.5	9.65
8	5/16	1037559	1.72	8.65	20.6	31.8	38.9	55.0	12.7
9-10	3/8	1037577	3.18	11.2	23.9	37.3	43.7	62.5	15.7
11-13	1/2	1037595	5.67	13.5	28.4	44.5	37.3	72.0	19.1
16	5/8	1037611	11.3	16.8	35.1	60.5	59.5	91.0	25.4



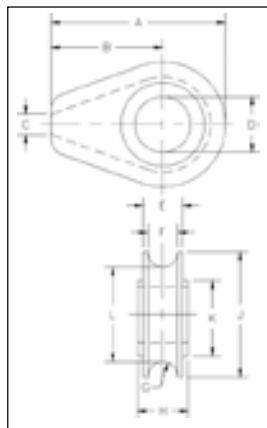
S-412



Solid Wire Rope Thimbles

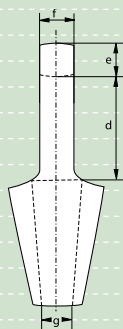
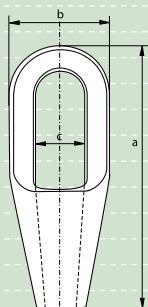
- Cast Ductile Iron.
- Fits pin for open wire rope socket, boom pendant clevis and wedge socket.

Rope Dia.		G-412 Stock No.	Weight Each (kg)	Dimensions (mm)										
(mm)	(in.)			A	B	C	D	E	F	G	H	J	K	L
1/2	13	1037121	.28	71.5	44.5	6.35	26.9	19.1	14.2	7.10	22.4	54.0	41.4	39.6
5/8	16	1037149	1.00	119	76.0	9.65	33.3	26.9	20.6	10.4	28.7	86.0	57.0	65.0
3/4	18-20	1037167	1.05	119	76.0	9.65	38.1	26.9	20.6	10.4	35.1	86.0	57.0	65.0
7/8	22	1037185	2.47	154	97.0	12.7	44.5	35.1	26.9	13.5	41.4	114	82.5	87.5
1	24-26	1037201	2.38	154	97.0	12.7	54.0	35.1	26.9	13.5	46.0	114	82.5	87.5
1-1/8	28-30	1037229	4.21	184	116	16.0	60.5	44.5	33.3	16.8	52.5	137	98.5	103
1-1/4 - 1-3/8	32-35	1037247	4.45	184	116	16.0	67.0	49.3	38.9	19.8	58.5	137	98.5	105





G-6411



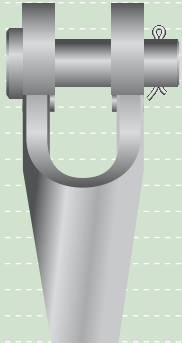
Green Pin® sockets

closed spelter socket

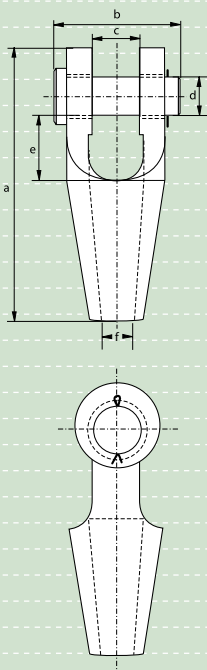
- **Material** : high tensile steel
- **Finish** : hot dipped galvanized
- **Temperature Range**: -20°C up to +200°C
- **Certification** : a works certificate, proof load test certificate and EC Declaration of Conformity can be supplied upon request

number	minimum breaking load	diameter wire rope	length	width	width inside bow	length inside bow	thickness bow	thickness bow	opening	weight each
	t	mm	a mm	b mm	c mm	d mm	e mm	f mm	g mm	kg
296	8	6 - 7	101	37	22	40	11	13	8.5	0.3
297	12	8 - 10	119	43	25	48	14	17.5	12	0.5
298	20	11 - 13	140	52	30	58	18	23.4	14.8	0.7
299	25	14 - 16	162	68	37	66	21	26	17.6	1.5
200	40	18 - 19	194	76	42	78	27	32	21.5	2.1
201	55	20 - 22	224	92	47	90	33	38	24	3.6
204	75	23 - 26	253	104	57	103	36	44	28	5.8
207	90	27 - 30	282	114	63	116	39	51	32	7
212	125	31 - 36	312	127	70	130	43	57	38	10.5
215	150	37 - 39	358	136	79	155	51	63	41	13
217	170	40 - 42	390	146	83	171	54	70	44	17
219	225	43 - 48	443	171	93	198	55	76	51	26
222	280	49 - 54	502	193	100	224	62	82	57	37.5
224	360	55 - 60	548	216	112	247	73	92	63	50
226	425	61 - 68	597	241	140	270	79	102	73	65
227	460	69 - 75	644	273	159	286	79	124	79	94
228	560	76 - 80	686	292	171	298	83	133	86	115
229	625	81 - 86	743	311	184	311	102	146	92	145
230	720	87 - 93	788	330	197	330	102	159	99	168
231	875	94 - 102	845	362	216	356	108	178	108	210
233	1200	108 - 115	1000	405	235	425	125	190	125	330
240	1300	120 - 130	1150	450	260	525	125	200	143	500





G-6412



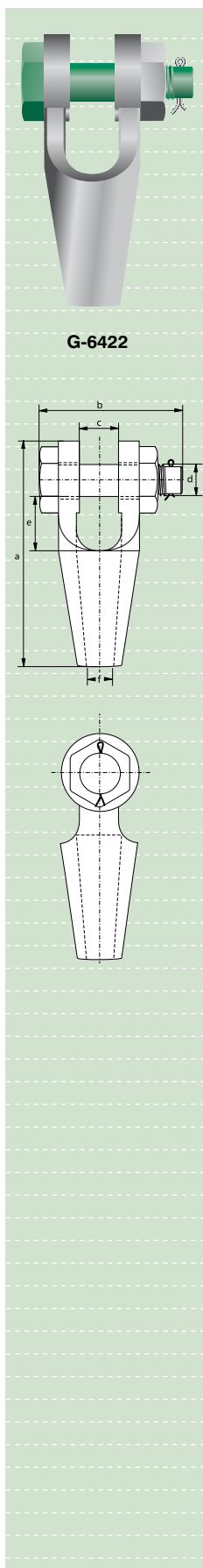
Green Pin® sockets

open spelter socket

- **Material** : high tensile steel
- **Finish** : hot dipped galvanized
- **Temperature Range** : -20°C up to +200°C
- **Certification** : a works certificate, proof load test certificate and EC Declaration of Conformity can be supplied upon request

number	minimum breaking load	diameter wire rope	length	width	width inside	dia- meter pin	length inside	opening	weight each
196	8	6 - 7	109	51	19	16	30	8.5	0.4
197	12	8 - 10	124	63	21	21	34	12	0.8
198	20	11 - 13	143	67	26	25	37	15	1
199	25	14 - 16	172	85	33	30	49	18	1.8
100	40	18 - 19	205	98	38	35	58	21	3
104	55	20 - 22	235	111	44	41	68	24	4.6
108	75	23 - 26	275	132	51	51	75	28	8
111	90	27 - 30	306	144	57	57	85	32	11
115	125	31 - 36	338	155	63	63	95	38	16
118	150	37 - 39	394	180	76	70	127	41	23
120	170	40 - 42	418	187	76	76	127	44	27
125	225	43 - 48	468	213	89	89	133	51	41
128	280	49 - 54	552	240	101	95	180	57	58
130	360	55 - 60	598	270	113	108	196	63	85
132	425	61 - 68	654	303	127	121	212	73	125
135	460	69 - 75	696	349	133	127	215	79	155
138	560	76 - 80	737	371	146	133	219	86	173
140	625	81 - 86	788	391	159	140	228	92	230
142	720	87 - 93	852	411	171	152	242	99	265
144	875	94 - 102	914	447	191	178	254	108	370
146	1200	108 - 115	1160	489	206	193	367	125	525
150	1300	120 - 130	1250	525	225	220	390	143	735



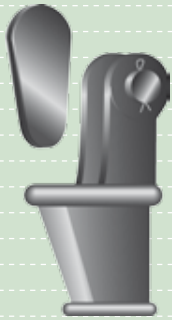


Green Pin® sockets open spelter socket with safety bolt

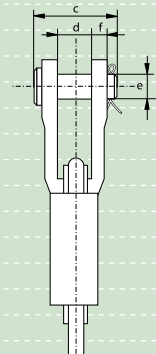
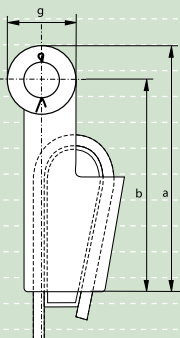
- **Material** : high tensile steel
- **Finish** : hot dipped galvanized
- **Temperature Range** : -20°C up to +200°C
- **Certification** : a works certificate, proof load test certificate and EC Declaration of Conformity can be supplied upon request

number	minimum breaking load	diameter wire rope	length	width	width inside	diameter pin	length inside	opening	weight each
	t	mm	a mm	b mm	c mm	d mm	e mm	f mm	kg
196	8	6 - 7	109	62	19	16	30	8.5	0.4
197	12	8 - 10	124	75	21	21	34	12	0.8
198	20	11 - 13	143	109	26	25	37	15	1
199	25	14 - 16	172	133	33	30	49	18	1.8
100	40	18 - 19	205	145	38	35	58	21	3
104	55	20 - 22	235	161	44	41	68	24	4.6
108	75	23 - 26	275	189	51	50	75	28	8
111	90	27 - 30	306	208	57	57	85	32	11
115	125	31 - 36	338	226	63	63	95	38	16
118	150	37 - 39	394	246	76	70	127	41	23
120	170	40 - 42	418	256	76	77	127	44	27





G-6413



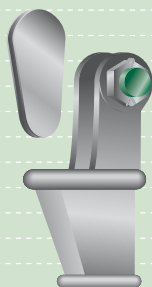
Green Pin® sockets

open wedge socket

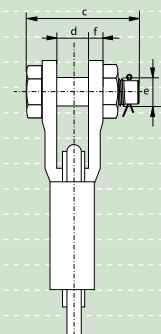
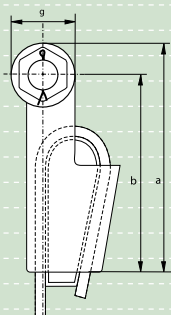
- **Material** : high tensile steel
- **Standard** : generally to EN 13411-6
- **Finish** : hot dipped galvanized
- **Temperature Range**: -20°C up to +200°C
- **Certification** : a works certificate, proof load test certificate and EC Declaration of Conformity can be supplied upon request

number	minimum breaking load	diameter wire rope	length	length to center pin	width	width inside	diameter pin	thickness side plates	diameter eye	weight each
	t	mm	a mm	b mm	c mm	d mm	e mm	f mm	g mm	kg
0.25	8	7 - 8	128	110	51	18	16	9	36	0.8
0.5	12	9 - 10	165	142	62	20	21	11	46	1.5
1	20	11 - 13	175	146	66	25	25	12	57	2.4
2	25	14 - 16	211	176	82	31	30	15	70	4
3	40	18 - 19	252	212	95	38	35	16	80	7
4	55	20 - 22	288	240	110	44	41	19	95	11
5	75	24 - 26	329	274	130	51	51	22	110	16
6	90	27 - 29	375	310	145	57	57	25	130	21
7	110	30 - 32	423	350	155	63	64	28	146	30
8	125	34 - 36	474	400	163	69	64	28	148	37
9	150	37 - 39	527	450	178	76	70	30	153	51
10	170	40 - 42	580	500	187	76	76	33	160	64
11	225	43 - 48	650	550	226	89	89	39	186	96
12	280	49 - 52	745	640	257	101	95	46	194	130
13	360	54 - 58	785	660	275	114	108	54	230	180
14	425	60 - 68	970	835	300	127	121	60	250	275
15	460	72 - 76	1150	1000	355	146	133	76	270	440
16	625	81 - 86	1252	1100	375	159	140	79	300	510

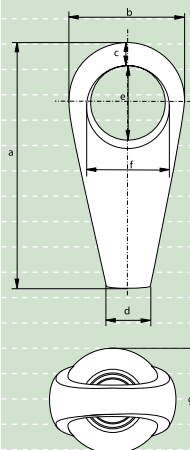




G-6423



G-6416



Green Pin® sockets

open wedge socket with safety bolt

- **Material** : high tensile steel
- **Standard** : generally to EN 13411-6
- **Finish** : hot dipped galvanized
- **Temperature Range**: -20°C up to +200°C
- **Certification** : a works certificate, proof load test certificate and EC Declaration of Conformity can be supplied upon request

number	minimum breaking load	diameter wire rope	length	length to center pin	width	width inside	dia- meter pin	thick- ness side plates	diameter eye	weight each
	t	mm	a	b	c	d	e	f	g	kg
0.25	8	7 - 8	128	110	76	18	16	9	36	0.8
0.5	12	9 - 10	165	142	91	20	20	11	46	1.5
1	20	11 - 13	175	146	109	25	25	12	57	2.4
2	25	14 - 16	211	176	133	31	30	15	70	4
3	40	18 - 19	252	212	145	38	35	16	80	7
4	55	20 - 22	288	240	161	44	41	19	95	11
5	75	24 - 26	329	274	189	51	50	22	110	16
6	90	27 - 29	375	310	208	57	57	25	130	21
7	110	30 - 32	423	350	226	63	63	28	146	30
8	125	34 - 36	474	400	233	69	65	28	148	37
9	150	37 - 39	527	450	246	76	70	30	153	51
10	170	40 - 42	580	500	256	76	77	33	160	64

Short bow sockets

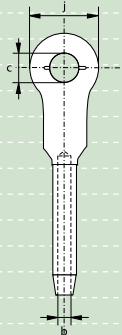
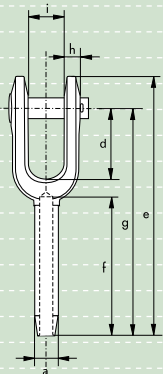
closed spelter socket

- **Material** : alloy steel
- **Finish** : hot dipped galvanized
- **Certification** : a works certificate and a proof load test certificate can be supplied upon request

diameter wire rope	length	width	thickness bow	width	length eye	width eye	thickness	weight each
inch	a mm	b mm	c mm	d mm	e mm	f mm	g mm	kg
1 1/4 - 1 3/8	246	122	38	48	83	76	97	18
1 1/2 - 1 5/8	305	152	40	57	104	92	123	22
1 3/4 - 1 7/8	356	178	47	66	121	112	140	28
2 - 2 1/8	391	202	53	76	133	121	158	32
2 1/4 - 2 3/8	438	221	61	80	146	133	184	44
2 1/2 - 2 5/8	457	264	68	96	165	149	217	56
2 3/4 - 2 7/8	540	273	74	105	178	163	222	68
3 - 3 1/8	584	295	76	115	194	174	243	100
3 1/4 - 3 3/8	626	319	82	121	216	194	260	120
3 1/2 - 3 5/8	670	340	92	127	219	202	270	145
3 3/4 - 3 7/8	698	356	98	133	235	214	290	190
4 - 4 1/4	803	412	112	152	270	242	318	250



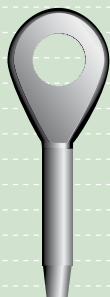
S-6414



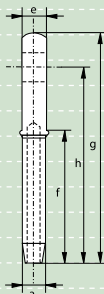
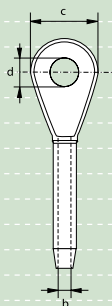
Green Pin® swage sockets open type

- **Material** : drop forged steel C-1035
- **Finish** : self coloured

diameter rope	diameter before swage	diameter after swage		diameter inside	diameter pin	length	length	length	length	thickness	width inside	width eye	weight each
mm	mm	a	a	b	c	d	e	f	g	h	i	j	kg
		min	max	mm	mm	mm	mm	mm	mm	mm	mm	mm	
6	13	10.9	11.7	7	17	38	121	54	102	8	17	35	0.25
8	20	17.2	18.0	9	21	44	159	81	135	10	21	41	0.50
10	20	17.2	18.0	12	21	44	159	81	135	10	21	41	0.49
11	25	22.0	23.1	12	25	51	198	108	169	13	25	51	1.04
13	25	22.0	23.1	14	25	51	198	108	169	13	25	51	1.02
14	32	28.3	29.5	15	30	57	243	135	206	16	32	63	2.09
16	32	28.3	29.5	17	30	57	243	135	206	16	32	63	2.04
19	39	34.7	36.1	20	35	70	297	162	254	19	38	76	3.54
22	43	37.8	39.4	24	41	83	346	189	295	23	44	86	5.31
25	50	44.2	45.7	27	51	95	397	216	340	26	51	102	8.07
29	57	50.5	52.1	30	57	108	444	243	381	30	57	114	13.5
32	64	56.8	58.4	34	64	121	494	270	419	30	63	127	16.3
35	71	63.2	65.0	37	64	133	540	297	460	33	63	133	21.3
38	78	69.6	71.4	40	70	146	591	324	502	37	76	146	29.5
44	86	75.9	77.7	47	89	171	689	378	584	43	89	178	42.2
51	100	88.6	90.4	54	95	203	798	432	679	46	102	203	65.8
57	113	100.3	102.1	60	108	171	835	486	705	65	114	222	93.4
63	125	110.5	112.3	67	108	171	879	498	749	65	114	222	103
76	151	113.1	134.9	80	133	219	1045	603	905	76	146	241	181



S-6415



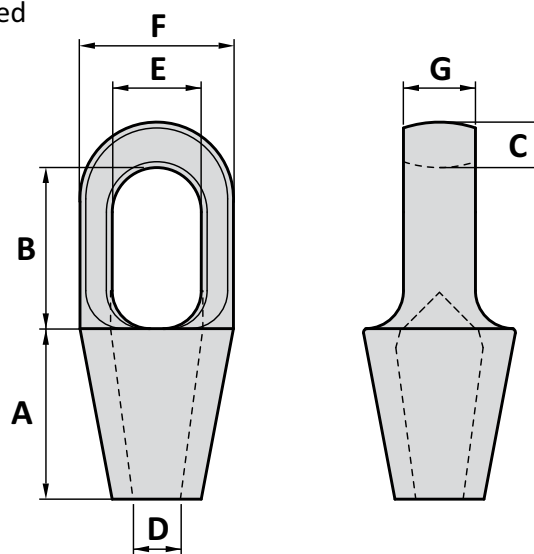
Green Pin® swage sockets closed type

- **Material** : drop forged steel C-1035
- **Finish** : self coloured

diameter rope	diameter before swage	diameter after swage		diameter inside	diameter	diameter eye	thickness	length	length	length	weight each
mm	a	a	a	b	c	d	e	f	g	h	kg
6	13	10.9	11.7	7	37	19	13	54	111	89	0.15
8	20	17.2	18.0	9	43	22	17	81	140	114	0.36
10	20	17.2	18.0	12	43	22	17	81	140	114	0.35
11	25	22.0	23.1	12	51	27	22	108	176	146	0.66
13	25	22.0	23.1	14	51	27	22	108	176	146	0.63
14	32	28.3	29.5	15	63	32	29	135	222	184	1.26
16	32	28.3	29.5	17	63	32	29	135	222	184	1.25
19	39	34.7	36.1	20	76	37	33	162	264	219	2.27
22	43	37.8	39.4	24	89	43	38	189	308	257	3.40
25	50	44.2	45.7	27	102	52	44	216	349	292	5.08
29	57	50.5	52.1	30	114	59	51	243	387	324	7.17
32	64	56.8	58.4	34	127	65	57	270	438	365	10.4
35	71	63.2	65.0	37	133	65	57	297	479	400	14.1
38	78	69.6	71.4	40	140	71	63	324	518	432	17.7
44	86	75.9	77.7	47	171	91	76	378	610	508	23.6
51	100	88.6	90.4	54	197	97	83	432	698	584	40.8
57	113	100.3	102.1	60	219	110	102	486	756	632	55.3
63	125	110.5	112.3	67	219	110	102	498	791	667	64.4
76	151	113.1	134.9	80	235	135	137	603	959	816	114

CLOSED SPELTER SOCKET

- Material : Cast steel
 Safety : 5 times
 Finish : Painted/galvanised
 Up to Type No. 215 standard galvanised
 Certificates : Material certificate 3.1
 on request : Certificate of Conformity



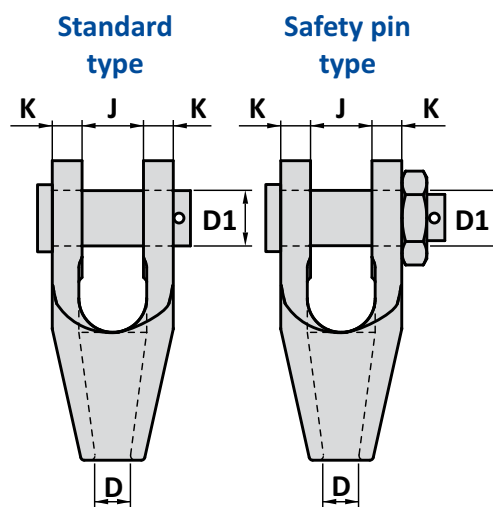
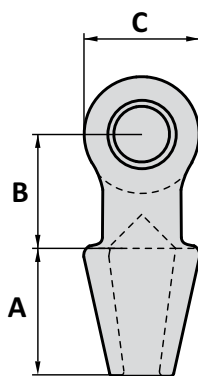
~ specification: 1 = Painted
9 = Galvanised

Type No.	Wire dia mm	Wire dia inch	MBL ton	A mm	B mm	C mm	D mm	E mm	F mm	G mm	Weight kg
290	6-7	¼"	3	51	46	11	8	20	37	13	0.3
292	8-10	⅜"	6	51	52	14	11	24	43	16	0.4
294	11-13	½"	12	64	59	18	14	29	51	22	0.8
296	14-16	⅝"	24	77	65	20	18	35	67	25	1.4
298	18-19	¾"	32	90	75	26	21	42	75	31	2.1
201	20-22	⅞"	45	101	90	33	24	47	92	38	4
204	23-26	1"	70	114	103	36	28	57	104	44	7
207	27-30	1⅛"	100	127	116	39	32	63	114	51	8
212	31-36	1¼"-1⅜"	125	139	130	43	38	70	127	57	11
215	37-39	1½"	150	152	155	51	41	79	136	63	13
217	40-42	1⅝"	200	165	171	54	44	82	146	70	17
219	43-48	1¾"-1⅞"	260	190	198	55	51	89	171	76	24
222	49-54	2"-2⅛"	280	216	224	62	57	96	193	82	37
224	55-60	2¼"-2⅜"	360	228	247	73	63	108	216	92	50
226	61-68	2½"-2⅝"	450	248	270	79	73	140	241	102	65
227	69-75	2¾"-2⅞"	480	279	286	76	79	159	273	124	93
228	76-80	3"-3⅛"	520	305	298	83	86	171	292	133	110
229	81-86	3¼"-3⅜"	600	330	311	102	92	184	311	146	142
230	87-93	3½"-3⅝"	700	356	330	102	99	197	330	159	170
231	94-102	3¾"-4"	875	381	356	108	108	216	362	178	225
233	108-115	4½"	1100	450	425	120	125	235	405	190	340
240	122-130	5"	1250	500	475	120	138	260	515	205	555
250	140-155	5½"-6"	1400	580	550	150	160	300	550	225	850
260	158-167	6½"	1600	675	600	175	175	325	600	300	1050

Tolerance: ± 5%, machined parts ± 1 mm

OPEN SPELTER SOCKET

- Material : Cast steel
- Safety : 5 times
- Finish : Painted/galvanised
Up to Type No. 115 standard galvanised
- Certificates : Material certificate 3.1
on request Certificate of Conformity



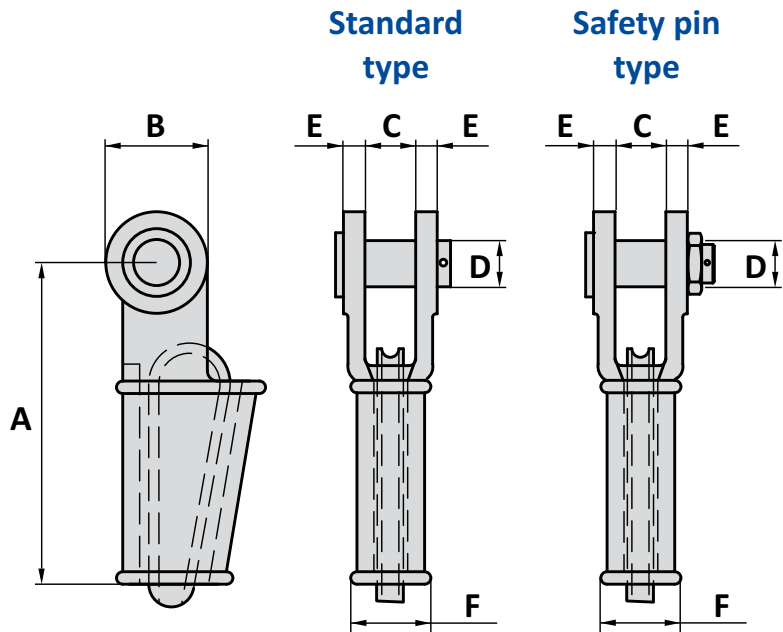
~ specification: 1 = Painted
9 = Galvanised

Type No.	Wire dia mm	Wire dia inch	MBL ton	A mm	B mm	C mm	D mm	D1 mm	J mm	K mm	Weight kg
192	6-7	¼"	3	52	40	34	8	18	17	8	0.4
194	8-10	⅜"	6	58	45	40	11	21	20	11	0.6
196	11-13	½"	12	64	51	49	14	26	25	12	1.3
198	14-16	⅝"	24	76	64	62	18	30	32	14	2
100	18-19	¾"	32	89	76	80	21	35	38	16	3
104	20-22	⅞"	45	101	89	90	24	41	44	19	5
108	23-26	1"	70	114	101	120	28	51	51	22	8
111	27-30	1⅛"	100	127	114	130	32	57	57	25	12
115	31-36	1¼"-1⅜"	125	139	127	144	38	63	63	28	17
118	37-39	1½"	150	152	162	160	41	70	76	30	24
120	40-42	1⅝"	200	165	165	176	44	76	76	33	28
125	43-48	1¾"-1⅞"	260	190	178	200	51	89	89	39	41
128	49-54	2"-2⅛"	280	216	228	216	57	95	101	46	61
130	55-60	2¼"-2⅜"	360	228	250	236	63	108	113	53	90
132	61-68	2½"-2⅝"	450	248	273	264	73	121	127	60	122
135	69-75	2¾"-2⅞"	480	279	279	276	79	127	133	73	157
138	76-80	3"-3⅛"	520	305	286	284	86	133	146	76	195
140	81-86	3¼"-3⅝"	600	330	298	296	92	140	159	79	221
142	87-93	3½"-3⅞"	700	356	318	340	99	152	171	83	281
144	94-102	3¾"-4"	875	381	343	362	108	178	191	89	397
146	108-115	4½"	1100	460	480	440	125	190	208	101	570
150	122-130	5"	1250	500	500	560	138	250	210	120	980
160	140-155	5½"-6"	1400	580	500	600	160	275	230	140	1040
170	158-167	6½"	1600	675	600	650	175	290	310	175	1175

Tolerance: ± 5%, machined parts ± 1 mm

OPEN WEDGE SOCKET

- Material : Cast steel
- Safety : 5 times
- Finish : Painted/galvanised
Up to Type No. 5 standard galvanised
- Certificates : Material certificate 3.1
on request Certificate of Conformity



~ specification: 1 = Painted
9 = Galvanised

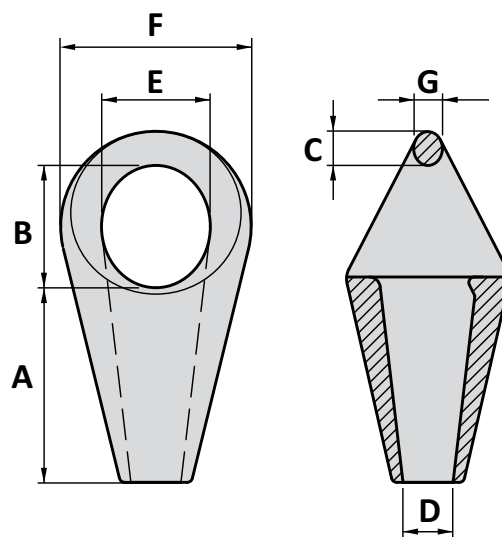
Type No.	Wire dia mm	Wire dia inch	MBL ton	A mm	B mm	C mm	D mm	E mm	F mm	Weight kg
0.5	9-10	3/8"	10	145	47	20	21	11	26	2
1	11-13	1/2"	16	146	57	25	25	12	32	3
2	14-16	5/8"	25	176	70	31	30	15	44	4
3	18-19	3/4"	32	212	80	38	35	16	44	6
4	20-22	7/8"	45	240	96	44	41	19	52	9
5	24-26	1"	70	274	114	51	50	22	58	15
6	27-29	1 1/8"	100	310	130	57	57	25	66	22
7	30-33	1 1/4"	125	350	146	63	64	28	79	25
8	34-36	1 3/8"	125	400	148	69	64	28	79	38
9	37-40	1 1/2"	150	450	160	76	70	30	93	51
10	41-43	1 5/8"	200	500	174	76	76	33	95	61
11	44-48	1 3/4"-1 7/8"	260	550	200	89	89	39	111	95
12	49-53	2"	280	650	200	101	95	46	140	121
13	56	2 1/4"	360	660	250	114	108	54	136	172
14	63	2 1/2"	450	840	270	127	121	60	161	271
15	75	3"	520	1000	300	146	133	76	186	437

Tolerance: ± 5%, machined parts ± 1 mm

CR SOCKET

Material	: Cast steel
Safety	: 5 times
Finish	: Painted/galvanised Up to Type No. 519 standard galvanised
Certificates on request	: Material certificate 3.1 Manufacturer certificate Certificate of Conformity NDT inspection certificate

CR sockets give the best possible connection between a chain- and a rope anchoring system. These sockets are included our non-rotating system (NRS-system) which prevents the ramp for turning or slipping out of the cone and guaranty a high performance connection.



~ specification: 1 = Painted
9 = Galvanised

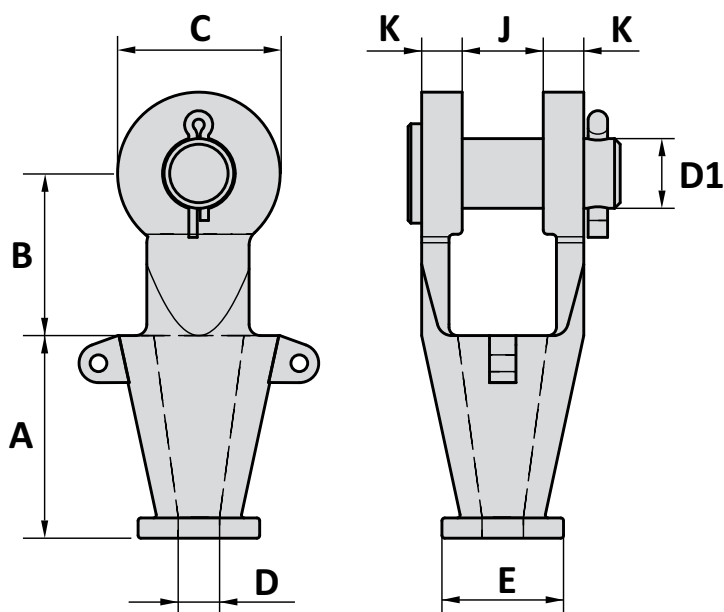
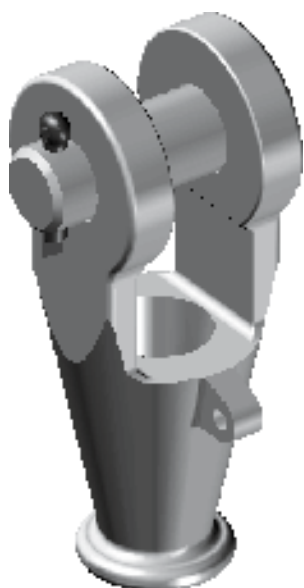
Type No.	Wire dia mm	Wire dia inch	WLL ton	MBL ton	A mm	B mm	C mm	D mm	E mm	F mm	G mm	Weight kg
512	31-36	1¼"-1⅝"	28	140	140	85	38	39	75	124	35	6.5
517	38-42	1½"-1⅝"	32	160	160	110	42	44	92	130	38	8
519	43-48	1¾"-1⅝"	40	200	188	128	50	51	110	180	45	17
522	49-54	2"-2⅝"	50	250	215	125	55	57	115	200	50	23
524	55-60	2¼"-2⅝"	60	300	230	145	65	63	135	230	57	33
526	61-68	2½"-2⅝"	80	400	250	160	75	73	160	265	65	50
527	69-75	2¾"-2⅝"	100	500	280	175	80	79	170	278	70	59
528	76-80	3"-3⅝"	120	600	315	210	85	86	184	300	75	74
529	81-86	3¼"-3⅝"	140	700	340	205	100	92	204	320	90	89
530	87-93	3½"-3⅝"	160	800	360	220	105	99	215	340	95	104
531	94-102	3¾"-4"	180	900	380	240	110	108	234	376	100	134
533	108-115	4¼"-4½"	200	1000	450	260	125	120	252	400	110	180
540	122-130	4¾"-5"	250	1250	517	293	140	140	275	460	125	310

Tolerance: ± 5%

OPEN SPELTER SOCKET S-TYPE

Material	: Cast steel
Safety	: 5 times
Finish	: Galvanised
Certificates on request	: Material certificate 3.1 Manufacturer certificate Certificate of Conformity

S-type open spelter sockets are prepared to operate in a wire-rope connection in combination with a flange-mounted bending stiffener. The stiffener protects the rope for buckling during transport and installation.



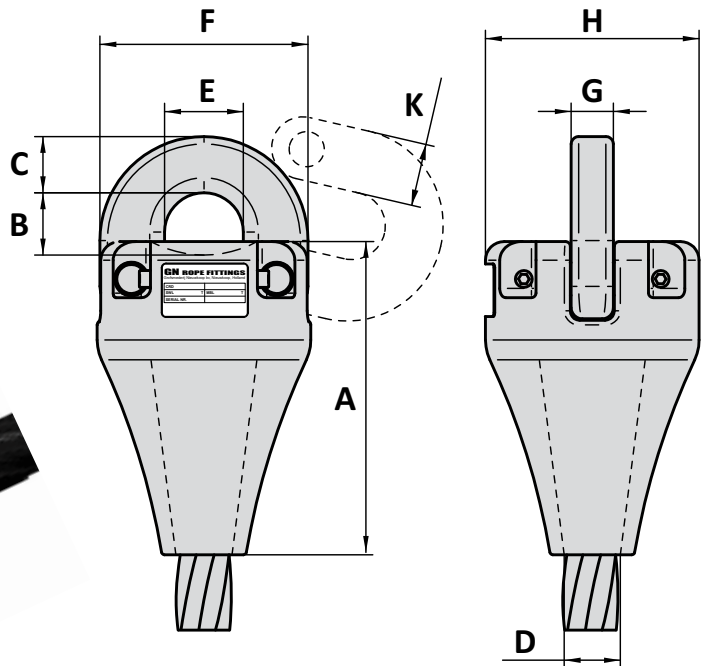
Type No.	Wire dia inch	Wire dia mm	A mm	B mm	C mm	D mm	D1 mm	J mm
338	3"	65-76	350	286	284	75-85	133	146
340	3½"	78-83	375	298	296	82-92	140	159
342	3½"	85-89	410	318	340	90-100	152	171
344	3¾"	92-96	425	343	362	98-108	178	191
346	4"	98-102	510	480	440	115-125	190	208
350	4½"	115	550	500	560	128-138	250	210
360	5"	126	630	500	600	140-160	275	230
370	5½"	138	725	600	650	150-175	290	250

Tolerance: ± 5%, machined parts ± 1 mm

CR-D SOCKET

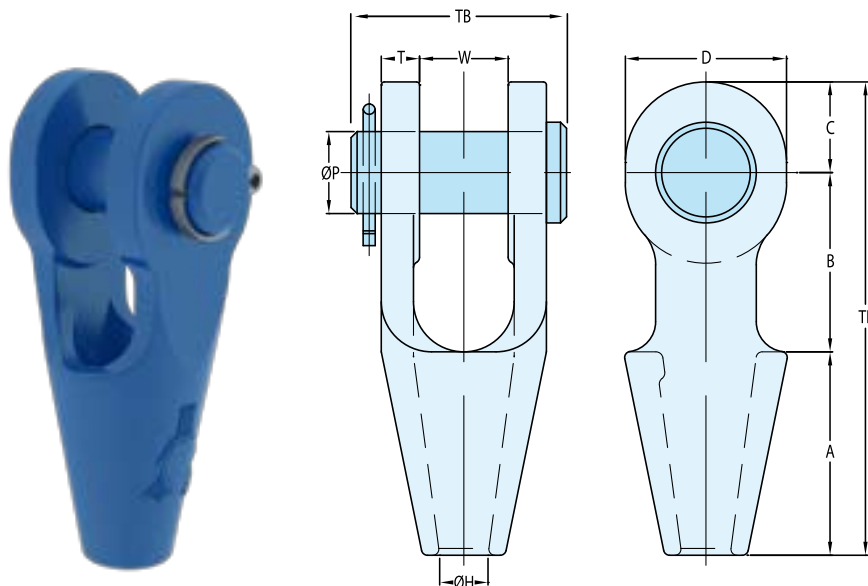
- Material : High grade steel
- Safety : 5 times
- Finish : Painted
- Certificates : Material certificate 3.1
on request Manufacturer certificate
Proofload certificate

5 - Wire rope accessories / Sockets



Type No.	Wire dia inch	Suitable chain	WLL ton	MBL ton	A mm	B mm	C mm	D mm	E mm	F mm	G mm	H mm	K mm
622	2"-2¼"	2"	50	250	300	70	60	59	84	222	45	238	69
626	2½"-2¾"	2½"	80	400				(in development)					
628	3"-3¼"	3"	120	600	465	120	100	86	112	340	70	380	114
630	3½"-3¾"	3½"	160	800	520	140	120	99	140	400	80	430	130
633	4"-4½"	4"	200	1000				(in development)					

Tolerance: Forged parts ± 5%, machined parts ± 1 mm

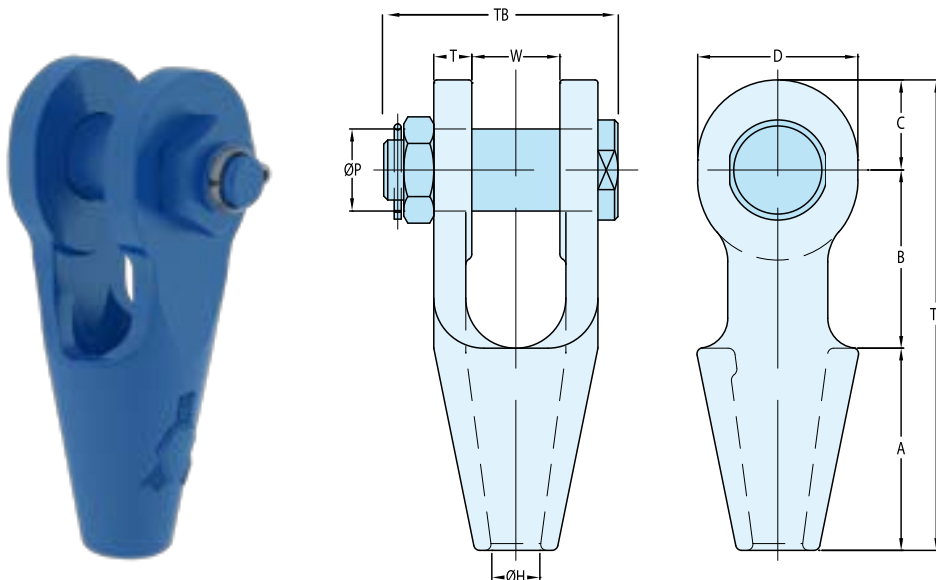
Alloy cast steel **Open spelter sockets with pin**

Model nr.	MBL (Mtons)	for wire Ø		Dimensions (mm)										Weight (kg)
		mm	inch	A	B	C	D	ØH	ØP	T	TL	TB	W	
OSS 196 P	8	6 - 7	1/4	50	40	19	34	8.5	16	9	109	51	19	0.4
OSS 197 P	12	8 - 10	3/8	57	45	22	42	12	20.6	11	124	63	21	0.8
OSS 198 P	20	11 - 13	7/16 - 1/2	63.5	51	27	50	14	25	12	142	67	25	1
OSS 199 P	25	14 - 16	9/16 - 5/8	76	63	32	58	17.5	30	14	171	85	32	1.8
OSS 100 P	40	18 - 19	3/4	89	76	40	70	21	35	16	205	95	38	3.2
OSS 104 P	55	20 - 22	7/8	101	89	45	80	24	41	19	235	110	44	4.6
OSS 108 P	75	23 - 26	1	114	101	60	104	28	51	22	275	128	51	8
OSS 111 P	90	27 - 30	1 1/8	127	114	65	114	32	57	25	306	142	57	12
OSS 115 P	125	31 - 36	1 1/4 - 1 3/8	139	127	72	126	38	63	28	338	155	63	16
OSS 118 P	150	37 - 39	1 1/2	152	162	80	142	41	70	30	394	177	76	23
OSS 120 P	170	40 - 42	1 5/8	165	165	88	156	44	76	33	418	187	76	27
OSS 125 P	225	43 - 48	1 3/4 - 1 7/8	190	178	100	176	51	89	39	468	215	89	41
OSS 128 P	280	49 - 54	2 - 2 1/8	216	228	108	194	57	95	46	552	244	101	58
OSS 130 P	360	55 - 60	2 1/4 - 2 3/8	228	250	120	210	63	108	53	598	275	113	85
OSS 132 P	425	61 - 68	2 1/2 - 2 5/8	248	273	133	236	73	121	60	654	300	127	118
OSS 135 P	460	69 - 75	2 3/4 - 2 7/8	279	279	138	240	79	127	73	696	335	133	155
OSS 138 P	560	76 - 80	3 - 3 1/8	305	286	146	252	86	133	76	737	355	146	173
OSS 140 P	625	81 - 86	3 1/4 - 3 3/8	330	298	160	290	92	140	79	788	375	159	230
OSS 142 P	720	87 - 93	3 1/2 - 3 5/8	356	318	178	320	99	152	83	852	400	171	265
OSS 144 P	875	94 - 102	3 3/4 - 4	381	343	190	350	108	178	89	914	435	191	370
OSS 146 P	1200	108 - 115	4 1/4 - 4 1/2	450	480	215	400	125	195	100	1145	465	205	525
OSS 150 P	1300	120 - 130	4 3/4 - 5	500	500	250	450	143	220	110	1250	525	225	735

MBL = Minimum Breaking Load.

Our standard sockets are delivered in blue colour paint. Hot dipped galvanized is also available. All sockets can be provided with Declaration of compliance according EN 10204-2.1, Material certificate according EN 10204-3.1 and EC Declaration according machine directive 98/37/EC.

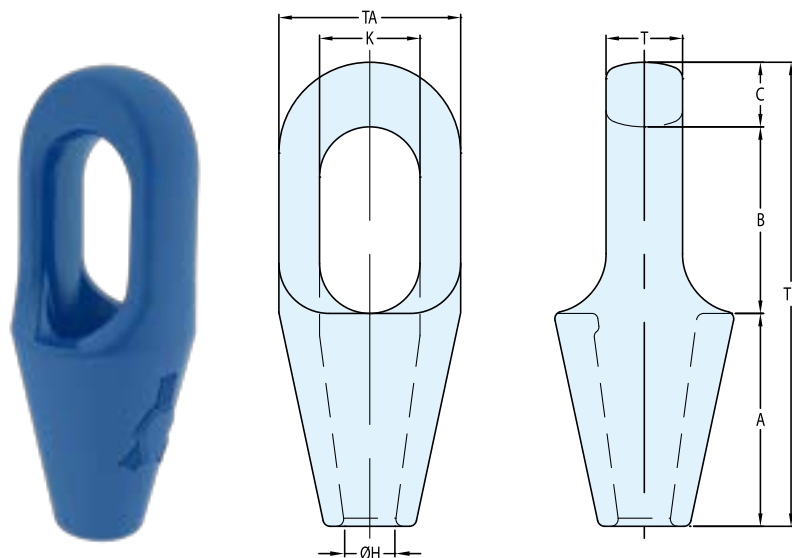
Alloy cast steel Open spelter sockets with bolt and nut



Model nr.	MBL (Mtons)	for wire Ø		Dimensions (mm)										Weight (kg)
		mm	inch	A	B	C	D	ØH	ØP	T	TL	TB	W	
OSS 196 B	8	6 - 7	1/4	50	40	19	34	8.5	16	9	109	62	19	0.4
OSS 197 B	12	8 - 10	3/8	57	45	22	42	12	20.6	11	124	75	21	0.8
OSS 198 B	20	11 - 13	7/16 - 1/2	63.5	51	27	50	14	25	12	142	80	25	1
OSS 199 B	25	14 - 16	9/16 - 5/8	76	63	32	58	17.5	30	14	171	96	32	1.8
OSS 100 B	40	18 - 19	3/4	89	76	40	70	21	35	16	205	107	38	3.2
OSS 104 B	55	20 - 22	7/8	101	89	45	80	24	41	19	235	123	44	4.6
OSS 108 B	75	23 - 26	1	114	101	60	104	28	51	22	275	138	51	8
OSS 111 B	90	27 - 30	1 1/8	127	114	65	114	32	57	25	306	160	57	12
OSS 115 B	125	31 - 36	1 1/4 - 1 3/8	139	127	72	126	38	63	28	338	165	63	16
OSS 118 B	150	37 - 39	1 1/2	152	162	80	142	41	70	30	394	201	76	23
OSS 120 B	170	40 - 42	1 5/8	165	165	88	156	44	76	33	418	209	76	27
OSS 125 B	225	43 - 48	1 3/4 - 1 7/8	190	178	100	176	51	89	39	468	237	89	41
OSS 128 B	280	49 - 54	2 - 2 1/8	216	228	108	194	57	95	46	552	263	101	58
OSS 130 B	360	55 - 60	2 1/4 - 2 3/8	228	250	120	210	63	108	53	598	298	113	85
OSS 132 B	425	61 - 68	2 1/2 - 2 5/8	248	273	133	236	73	121	60	654	330	127	118
OSS 135 B	460	69 - 75	2 3/4 - 2 7/8	279	279	138	240	79	127	73	696	359	133	155
OSS 138 B	560	76 - 80	3 - 3 1/8	305	286	146	252	86	133	76	737	380	146	173
OSS 140 B	625	81 - 86	3 1/4 - 3 3/8	330	298	160	290	92	140	79	788	397	159	230
OSS 142 B	720	87 - 93	3 1/2 - 3 5/8	356	318	178	320	99	152	83	852	417	171	265
OSS 144 B	875	94 - 102	3 3/4 - 4	381	343	190	350	108	178	89	914	450	191	370
OSS 146 B	1200	108 - 115	4 1/4 - 4 1/2	450	480	215	400	125	195	100	1145	504	205	525
OSS 150 B	1300	120 - 130	4 3/4 - 5	500	500	250	450	143	220	110	1250	525	225	735

MBL = Minimum Breaking Load.

Our standard sockets are delivered in blue colour paint. Hot dipped galvanized is also available. All sockets can be provided with Declaration of compliance according EN 10204-2.1, Material certificate according EN 10204-3.1 and EC Declaration according machine directive 98/37/EC.

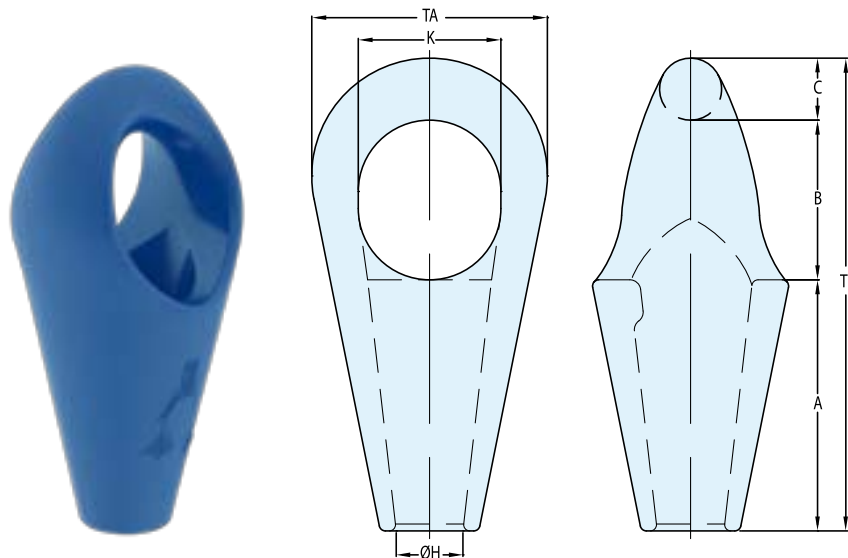
Alloy cast steel **Closed spelter sockets**

Model nr.	MBL (Mtons)	for wire Ø		Dimensions (mm)								Weight (kg)
		mm	inch	A	B	C	ØH	K	T	TA	TL	
CSS 296	8	6 - 7	1/4	50	40	11	8.5	22	13	37	101	0.3
CSS 297	12	8 - 10	3/8	57	48	14	12	25	17.5	43	119	0.5
CSS 298	20	11 - 13	7/16 - 1/2	63.5	59	17.5	14	30	22.5	51	140	0.7
CSS 299	25	14 - 16	9/16 - 5/8	76	65	21	17.5	36	26	67	162	1.3
CSS 200	40	18 - 19	3/4	89	78	27	21	42	32	76	194	2.1
CSS 201	55	20 - 22	7/8	101	90	33	24	47	38	92	224	3.6
CSS 204	75	23 - 26	1	114	103	36	28	57	44	104	253	5.3
CSS 207	90	27 - 30	1 1/8	127	116	39	32	63	51	114	282	7
CSS 212	125	31 - 36	1 1/4 - 1 3/8	139	130	43	38	70	57	127	312	9.7
CSS 215	150	37 - 39	1 1/2	152	155	51	41	79	63	136	358	13
CSS 217	170	40 - 42	1 5/8	165	171	54	44	83	70	146	390	17
CSS 219	225	43 - 48	1 3/4 - 1 7/8	190	198	55	51	93	76	171	443	26
CSS 222	280	49 - 54	2 - 2 1/8	216	224	62	57	100	82	193	502	37.5
CSS 224	360	55 - 60	2 1/4 - 2 3/8	228	247	73	63	112	92	216	548	50
CSS 226	425	61 - 68	2 1/2 - 2 5/8	248	270	79	73	140	102	241	597	65
CSS 227	460	69 - 75	2 3/4 - 2 7/8	279	286	79	79	159	124	273	644	94
CSS 228	560	76 - 80	3 - 3 1/8	305	298	83	86	171	133	292	686	110
CSS 229	625	81 - 86	3 1/4 - 3 3/8	330	311	102	92	184	146	311	743	145
CSS 230	720	87 - 93	3 1/2 - 3 5/8	356	330	102	99	197	159	330	788	182
CSS 231	875	94 - 102	3 3/4 - 4	381	356	108	108	216	178	362	845	210
CSS 233	1200	108 - 115	4 1/4 - 4 1/2	450	425	125	125	235	190	405	1000	330
CSS 240	1300	120 - 130	4 3/4 - 5	500	525	125	143	260	200	450	1150	500

MBL = Minimum Breaking Load.

Our standard sockets are delivered in blue colour paint. Hot dipped galvanized is also available. All sockets can be provided with Declaration of compliance according EN 10204-2.1, Material certificate according EN 10204-3.1 and EC Declaration according machine directive 98/37/EC.

High alloy cast steel Short bow sockets

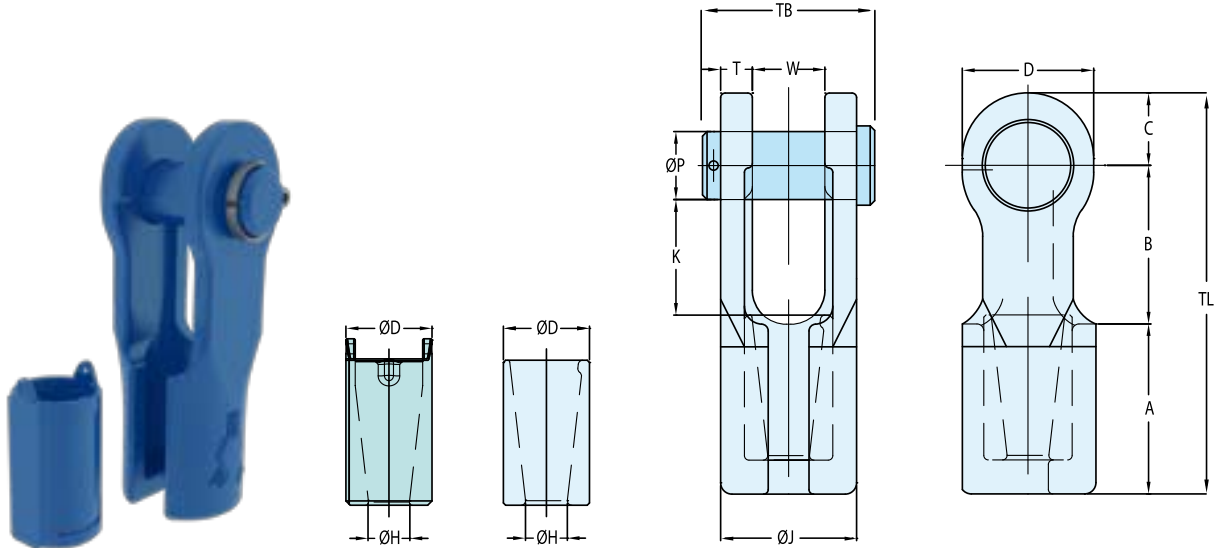


Model nr.	MBL (Mtons)	for wire Ø		Dimensions (mm)							Weight (kg)
		mm	inch	A	B	C	ØH	K	TA	TL	
SBS 517	160	37 - 42	1½ - 1 ⁵ / ₈	162	103	38	44	92	147	300	11
SBS 519	200	43 - 48	1¾ - 1 ⁷ / ₈	188	120	42	51	112	178	348	15
SBS 522	250	49 - 54	2 - 2 ¹ / ₈	204	132	54	57	120	200	390	22
SBS 524	320	55 - 60	2¼ - 2 ³ / ₈	230	148	62	63	135	220	440	27
SBS 526	400	61 - 68	2½ - 2 ⁵ / ₈	235	165	68	73	150	250	468	40
SBS 527	500	69 - 75	2¾ - 2 ⁷ / ₈	287	175	75	79	164	274	540	54
SBS 528	600	76 - 80	3 - 3 ⁵ / ₈	314	195	76	86	175	295	585	75
SBS 529	700	81 - 86	3¼ - 3 ³ / ₈	327	216	82	92	194	320	625	81
SBS 530	800	87 - 93	3½ - 3 ⁵ / ₈	258	220	92	99	202	350	670	115
SBS 531	900	94 - 102	3¾ - 4	365	235	100	105	215	375	700	130
SBS 533	1000	108 - 115	4¼ - 4½	420	270	110	115	240	410	800	180

MBL = Minimum Breaking Load.

Our standard sockets are delivered in blue colour paint. Hot dipped galvanized is also available. All sockets can be provided with Declaration compliance according EN 10204-2.1, Material certificate according EN 10204-3.1 and EC Declaration according machine directive 98/37/EC.

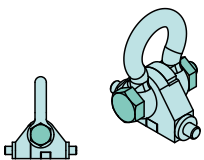
Alloy cast steel Fast connector sockets with pin



Model nr.	MBL (Mtons)	for wire Ø		Dimensions (mm)													Weight (kg)
		mm	inch	A	B	C	ØH	ØP	T	W	D	ØD	ØJ	K	TB	TL	
FCS 701 P	20	11 - 13	$\frac{7}{16} - \frac{1}{2}$	62	61	27	15	25	12	25	50	33	49	46	67	150	1.6
FCS 702 P	25	13 - 16	$\frac{1}{2} - \frac{5}{8}$	72	78	32	18	30	14	32	58	38	60	59	85	182	2.6
FCS 703 P	40	16 - 19	$\frac{5}{8} - \frac{3}{4}$	85	93	40	21	35	16	38	70	45	70	69	95	218	4.5
FCS 704 P	55	20 - 22	$\frac{7}{8}$	102	106	45	24	41	19	44	80	50	82	81	110	253	6.5
FCS 705 P	75	23 - 26	1	115	123	60	28	51	22	51	104	60	95	90	128	298	11
FCS 706 P	90	27 - 29	$1\frac{1}{8}$	140	152	65	32	57	25	57	114	70	107	116	142	357	16

Spin Resistant Connector

FCS 705 P.SR	75	23 - 26	1	115	123	60	28	51	22	51	104	60	95	90	128	298	11
FCS 706 P.SR	90	27 - 29	$1\frac{1}{8}$	140	152	65	32	57	25	57	114	70	107	116	142	357	16
FCS 707 P.SR	125	30 - 32	$1\frac{1}{4}$	150	159	73	36	63	28	63	126	80	119	120	155	382	18
FCS 708 P.SR	125	33 - 36	$1\frac{3}{8}$	160	171	73	39	64	28	69	126	85	125	130	160	404	23
FCS 709 P.SR	150	37 - 39	$1\frac{1}{2}$	176	187	80	42	70	30	76	142	90	136	142	177	443	29
FCS 710 P.SR	170	40 - 42	$1\frac{5}{8}$	188	198	88	45	76	33	76	156	95	142	150	187	474	36

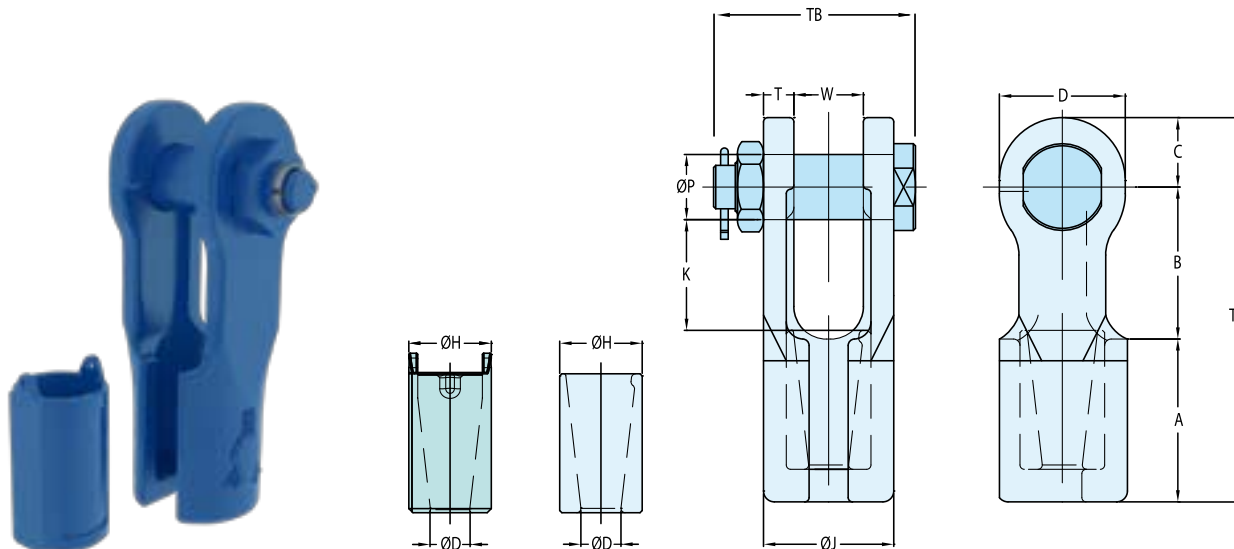


Special reeving tool available on request

MBL = Minimum Breaking Load.

Our standard sockets are delivered in blue colour paint. Hot dipped galvanized is also available. All sockets can be provided with Declaration of compliance according EN 10204-2.1, Material certificate according EN 10204-3.1 and EC Declaration according machine directive 98/37/EC.

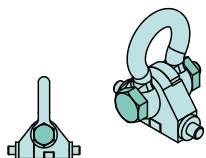
Alloy cast steel Fast connector sockets with bolt and nut



Model nr.	MBL (Mtons)	for wire Ø		Dimensions (mm)													Weight (kg)
		mm	inch	A	B	C	ØH	ØP	T	W	D	ØD	ØJ	K	TB	TL	
FCS 701 B	20	11 - 13	$\frac{7}{16} - \frac{1}{2}$	62	61	27	15	25	12	25	50	33	49	46	80	150	1.6
FCS 702 B	25	13 - 16	$\frac{1}{2} - \frac{5}{8}$	72	78	32	18	30	14	32	58	38	60	59	96	182	2.6
FCS 703 B	40	16 - 19	$\frac{5}{8} - \frac{3}{4}$	85	93	40	21	35	16	38	70	45	70	69	107	218	4.5
FCS 704 B	55	20 - 22	$\frac{7}{8}$	102	106	45	24	41	19	44	80	50	82	81	123	253	6.5
FCS 705 B	75	23 - 26	1	115	123	60	28	51	22	51	104	60	95	90	138	298	11
FCS 706 B	90	27 - 29	$1\frac{1}{8}$	140	152	65	32	57	25	57	114	70	107	116	160	357	16

Spin Resistant Connector

FCS 705 B.SR	75	23 - 26	1	115	123	60	28	51	22	51	104	60	95	90	138	298	11
FCS 706 B.SR	90	27 - 29	$1\frac{1}{8}$	140	152	65	32	57	25	57	114	70	107	116	160	357	16
FCS 707 B.SR	125	30 - 32	$1\frac{1}{4}$	150	159	73	36	63	28	63	126	80	119	120	165	382	18
FCS 708 B.SR	125	33 - 36	$1\frac{3}{8}$	160	171	73	39	64	28	69	126	85	125	130	185	404	23
FCS 709 B.SR	150	37 - 39	$1\frac{1}{2}$	176	187	80	42	70	30	76	142	90	136	142	201	443	29
FCS 710 B.SR	170	40 - 42	$1\frac{5}{8}$	188	198	88	45	76	33	76	156	95	142	150	209	474	36

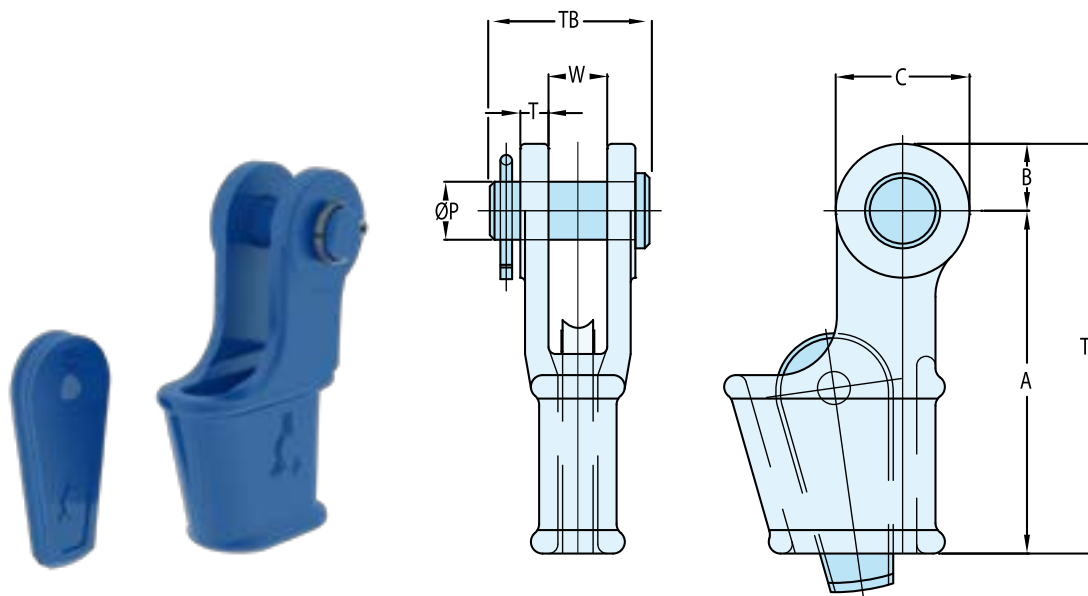


Special reeving tool available on request

MBL = Minimum Breaking Load.

Our standard sockets are delivered in blue colour paint. Hot dipped galvanized is also available. All sockets can be provided with Declaration of compliance according EN 10204-2.1, Material certificate according EN 10204-3.1 and EC Declaration according machine directive 98/37/EC.

Alloy cast steel Open wedge sockets with pin

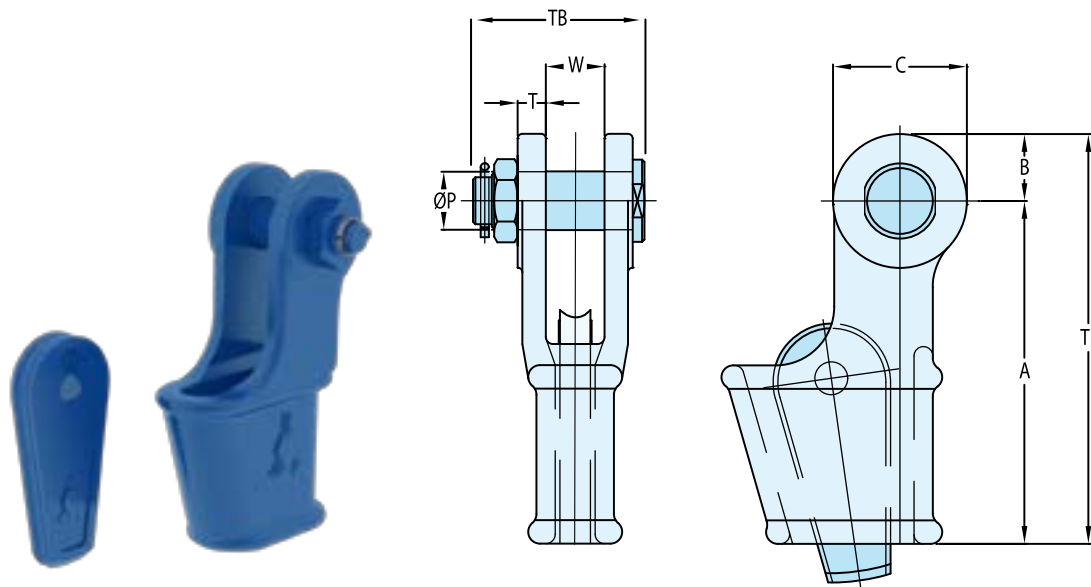


Model nr.	MBL (Mtons)	for wire Ø		Dimensions (mm)								Weight (kg)
		mm	inch	A	B	C	ØP	T	TB	TL	W	
OWS 0.25 P	8	7 - 8	$\frac{5}{16}$	110	19	36	16	9	51	129	18	0.8
OWS 0.5 P	12	9 - 10	$\frac{3}{8}$	142	23	46	20.6	11	63	165	20.5	1.7
OWS 1 P	20	11 - 13	$\frac{1}{2}$	146	29	57	25	12	67	175	25	2.1
OWS 2 P	25	14 - 16	$\frac{5}{8}$	176	35	70	30	15	85	211	31	4
OWS 3 P	40	18 - 19	$\frac{3}{4}$	212	40	80	35	16	95	252	38	7
OWS 4 P	55	20 - 22	$\frac{7}{8}$	240	48	95	41	19	110	288	44	10
OWS 5 P	75	24 - 26	1	274	55	110	51	22	128	329	51	15
OWS 6 P	90	27 - 29	$1\frac{1}{8}$	310	65	130	57	25	142	375	57	21
OWS 7 P	110	30 - 32	$1\frac{1}{4}$	350	73	146	64	28	155	423	63	31
OWS 8 P	125	34 - 36	$1\frac{3}{8}$	400	74	148	64	28	160	474	69	37
OWS 9 P	150	37 - 39	$1\frac{1}{2}$	450	80	142	70	30	177	530	76	51
OWS 10 P	170	40 - 42	$1\frac{5}{8}$	500	87	160	76	33	187	587	76	64
OWS 11 P	225	43 - 48	$1\frac{3}{4} - 1\frac{7}{8}$	550	100	186	89	39	215	650	89	96
OWS 12 P	280	49 - 52	2	640	105	194	95	46	244	745	101	130
OWS 13 P	360	54 - 58	$2\frac{1}{4}$	660	125	230	108	54	275	785	114	180
OWS 14 P	425	60 - 68	$2\frac{1}{2}$	835	135	250	121	60	300	970	127	275
OWS 15 P	460	72 - 76	3	1000	150	270	133	76	355	1150	146	440
OWS 16 P	625	81 - 86	$3\frac{1}{4} - 3\frac{3}{8}$	1100	152	300	140	79	375	1252	159	510

MBL = Minimum Breaking Load.

Our standard sockets are delivered in blue colour paint. Hot dipped galvanized is also available. All sockets can be provided with Declaration of compliance according EN 10204-2.1, Material certificate according EN 10204-3.1 and EC Declaration according machine directive 98/37/EC.

Alloy cast steel Open wedge sockets with bolt and nut

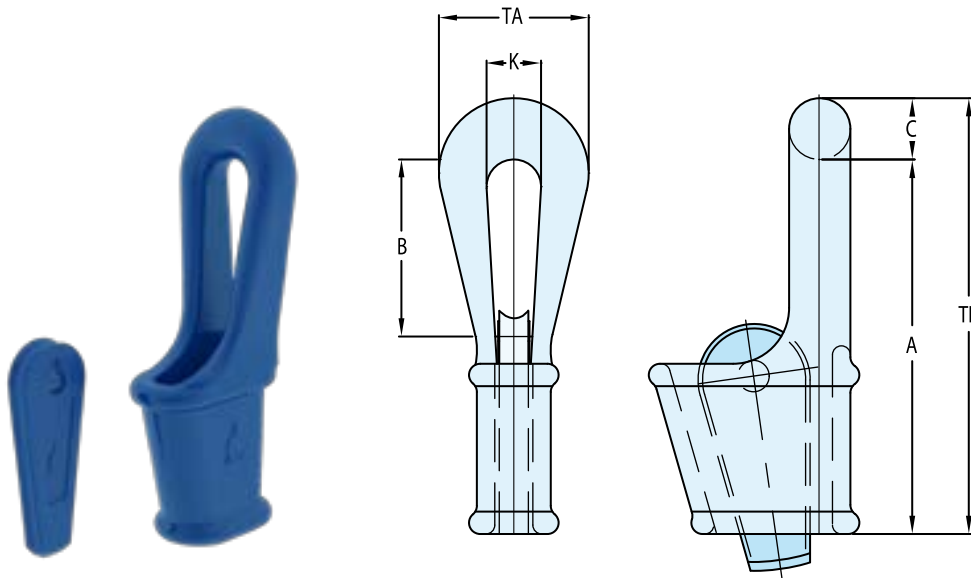


Model nr.	MBL (Mtons)	for wire Ø		Dimensions (mm)								Weight (kg)
		mm	inch	A	B	C	ØP	T	TB	TL	W	
OWS 0.25 B	8	7 - 8	$\frac{5}{16}$	110	19	36	16	9	62	129	18	0.8
OWS 0.5 B	12	9 - 10	$\frac{3}{8}$	142	23	46	20.6	11	75	165	20.5	1.7
OWS 1 B	20	11 - 13	$\frac{1}{2}$	146	29	57	25	12	80	175	25	2.1
OWS 2 B	25	14 - 16	$\frac{5}{8}$	176	35	70	30	15	96	211	31	4
OWS 3 B	40	18 - 19	$\frac{3}{4}$	212	40	80	35	16	107	252	38	7
OWS 4 B	55	20 - 22	$\frac{7}{8}$	240	48	95	41	19	123	288	44	10
OWS 5 B	75	24 - 26	1	274	55	110	51	22	138	329	51	15
OWS 6 B	90	27 - 29	$1\frac{1}{8}$	310	65	130	57	25	160	375	57	21
OWS 7 B	110	30 - 32	$1\frac{1}{4}$	350	73	146	64	28	165	423	63	31
OWS 8 B	125	34 - 36	$1\frac{3}{8}$	400	74	148	64	28	185	474	69	37
OWS 9 B	150	37 - 39	$1\frac{1}{2}$	450	80	142	70	30	201	530	76	51
OWS 10 B	170	40 - 42	$1\frac{5}{8}$	500	87	160	76	33	209	587	76	64
OWS 11 B	225	43 - 48	$1\frac{3}{4} - 1\frac{7}{8}$	550	100	186	89	39	237	650	89	96
OWS 12 B	280	49 - 52	2	640	105	194	95	46	263	745	101	130
OWS 13 B	360	54 - 58	$2\frac{1}{4}$	660	125	230	108	54	298	785	114	180
OWS 14 B	425	60 - 68	$2\frac{1}{2}$	835	135	250	121	60	330	970	127	275
OWS 15 B	460	72 - 76	3	1000	150	270	133	76	380	1150	146	440
OWS 16 B	625	81 - 86	$3\frac{1}{4} - 3\frac{3}{8}$	1100	152	300	140	79	397	1252	159	510

MBL = Minimum Breaking Load.

Our standard sockets are delivered in blue colour paint. Hot dipped galvanized is also available. All sockets can be provided with Declaration of compliance according EN 10204-2.1, Material certificate according EN 10204-3.1 and EC Declaration according machine directive 98/37/EC.

Alloy cast steel Closed wedge sockets

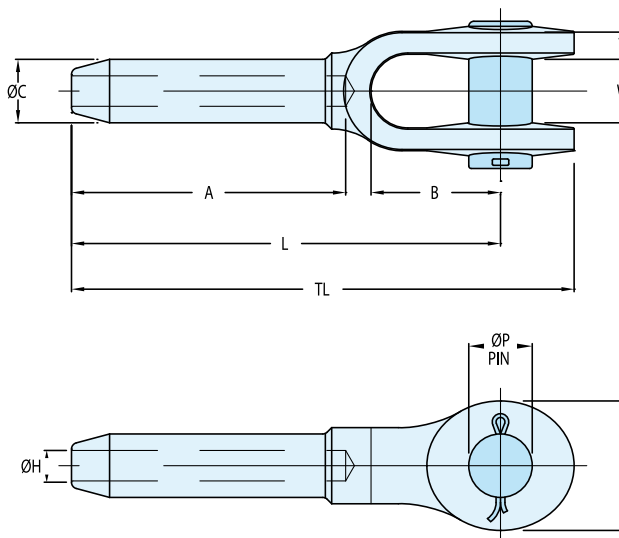


Model nr.	MBL (Mtons)	for wire Ø		Dimensions (mm)						Weight (kg)
		mm	inch	A	B	C	K	TA	TL	
CWS 303	40	18 - 19	$\frac{3}{4}$	220	100	34	40	90	254	7
CWS 304	55	20 - 22	$\frac{7}{8}$	225	125	42	47	110	267	9
CWS 305	75	24 - 26	1	290	130	50	55	125	340	14
CWS 306	90	27 - 29	$1\frac{1}{8}$	325	145	60	70	152	385	22
CWS 307	110	30 - 32	$1\frac{1}{4}$	360	160	68	75	165	428	30
CWS 308	125	34 - 36	$1\frac{3}{8}$	400	180	68	75	165	468	38
CWS 309	150	37 - 39	$1\frac{1}{2}$	500	240	72	80	185	572	49
CWS 310	170	40 - 42	$1\frac{5}{8}$	600	310	80	90	210	680	65
CWS 311	225	43 - 48	$1\frac{3}{4}$ - $1\frac{7}{8}$	640	325	90	100	225	730	100
CWS 312	280	49 - 52	2	720	375	100	110	245	820	150
CWS 313	360	54 - 58	$2\frac{1}{4}$	775	400	110	120	265	885	175
CWS 314	425	61 - 64	$2\frac{1}{2}$	900	470	120	130	290	1020	230
CWS 315	460	72 - 76	3	1000	500	130	150	330	1130	300
CWS 316	625	81 - 86	$3\frac{1}{8}$ - $3\frac{1}{4}$	1125	550	135	165	360	1260	425

MBL = Minimum Breaking Load.

Our standard sockets are delivered in blue colour paint. Hot dipped galvanized is also available. All sockets can be provided with Declaration of compliance according EN 10204-2.1, Material certificate according EN 10204-3.1 and EC Declaration according machine directive 98/37/EC.

Forged carbon steel Swage sockets open



Model nr.	for wire Ø		Dimensions (mm)										Weight (kg)
	mm	inch	ØC	ØH	ØP	B	TL	A	L	T	W	D	
SSO 06	6	1/4	12.7	6.85	17.5	38	121	54	102	8	17	35	0.25
SSO 08	8	5/16	19.6	8.65	20.6	44	159	81	135	10	21	41	0.50
SSO 10	10	3/8	19.6	10.4	20.6	44	159	81	135	10	21	41	0.50
SSO 11	11	7/16	24.9	12.2	25.4	51	198	108	169	13	25	51	1.10
SSO 13	13	1/2	24.9	14	25.4	51	198	108	169	13	25	51	1.10
SSO 14	14	9/16	31.8	15.5	30.2	57	243	135	206	16	32	63	2.10
SSO 16	16	5/8	31.8	17	30.2	57	243	135	206	16	32	63	2.10
SSO 19	19	3/4	39.4	20.3	35.1	70	297	162	254	19	38	76	3.60
SSO 22	22	7/8	43.2	23.9	41.1	83	346	189	295	23	44	86	5.30
SSO 25	25	1	50.5	26.9	51	95	397	216	340	26	51	102	8.10
SSO 29	29	1 1/8	57	30.2	57	108	444	243	381	30	57	114	13.50
SSO 32	32	1 1/4	64.5	33.8	63.5	121	494	270	419	30	63	127	16.40
SSO 35	35	1 3/8	71	36.8	63.5	133	540	297	460	33	63	133	21.40
SSO 38	38	1 1/2	78	40.1	70	146	591	324	502	37	76	146	29.50
SSO 44	44	1 3/4	86	47.2	89	171	689	378	584	43	89	178	42.20
SSO 51	51	2	100	53.5	95.5	203	798	432	679	46	102	203	65.80
SSO 57	57	2 1/4	113	59.9	108	171	835	486	705	65	114	222	93.50
SSO 63	63	2 1/2	125.2	67.5	108	171	879	498	749	65	114	222	103.00
SSO 76	76	3	150.6	80.4	133.4	219	1045	603	905	76	146	241	181.50

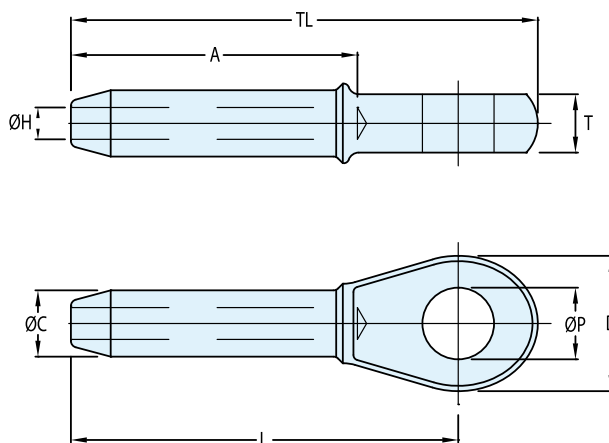
Swage sockets are recommended for use on 6x19 or 6x37 IWRC regular lay ropes and also satisfactory on galvanized bridge rope.

They are **not recommended** for use on fiber core ropes.

Before using swage sockets with other type lay, construction or grade of wire rope, it is recommended that the termination be proofloaded to prove the adequacy of the assembly.

Sockets properly applied have an efficiency rating of 100% based on the catalog strength of the used wire rope. Forged from special steel for cold swaging.

Forged carbon steel Swage sockets closed



Model nr.	for wire Ø		Dimensions (mm)								Weight (kg)
	mm	inch	ØC	ØH	D	ØP	T	A	TL	L	
SSC 06	6	1/4	12.7	6.85	37	19.1	13	54	111	89	0.15
SSC 08	8	5/16	19.6	8.65	43	22.4	17	81	140	114	0.36
SSC 10	10	3/8	19.6	10.4	43	22.4	17	81	140	114	0.35
SSC 11	11	7/16	24.9	12.2	51	26.9	22	108	176	146	0.70
SSC 13	13	1/2	24.9	14	51	26.9	22	108	176	146	0.70
SSC 14	14	9/16	31.8	15.5	63	31.8	29	135	222	184	1.30
SSC 16	16	5/8	31.8	17	63	31.8	29	135	222	184	1.30
SSC 19	19	3/4	39.4	20.3	76	36.6	33	162	264	219	2.30
SSC 22	22	7/8	43.2	23.9	89	42.9	38	189	308	257	3.40
SSC 25	25	1	50.5	26.9	102	52.5	44	216	349	292	5.10
SSC 29	29	1 1/8	57	30.2	114	58.5	51	243	387	324	7.20
SSC 32	32	1 1/4	64.5	33.8	127	65	57	270	438	365	10.50
SSC 35	35	1 3/8	71	36.8	133	65	57	297	479	400	14.10
SSC 38	38	1 1/2	78	40.1	140	71.5	63	324	518	432	17.70
SSC 44	44	1 3/4	86	47.2	171	90.5	76	378	610	508	23.60
SSC 51	51	2	100	53.5	197	96.5	83	432	698	584	40.80
SSC 57	57	2 1/4	113	59.9	219	109.5	102	486	756	632	55.40
SSC 63	63	2 1/2	125.2	67.5	219	109.5	102	498	791	667	64.40
SSC 76	76	3	150.6	80.4	235	134.9	137	603	959	816	114.30

Swage sockets are recommended for use on 6x19 or 6x37 IWRC regular lay ropes and also satisfactory on galvanized bridge rope.

They are **not recommended** for use on fiber core ropes.

Before using swage sockets with other type lay, construction or grade of wire rope, it is recommended that the termination be proof-loaded to prove the adequacy of the assembly.

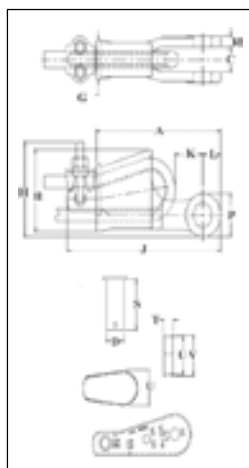
Sockets properly applied have an efficiency rating of 100% based on the catalog strength of the used wire rope. Forged from special steel for cold swaging.

S-421T wedge sockets

S-421T



Wedge sockets meet the performance requirements of Federal Specification RR-S-550D, Type C, except those provisions required of the contractor.



- Wedge socket terminations have an efficiency rating of 80% based on the catalog strength of XXII wire rope.
- Meets or exceeds all requirements of ASME B30.26 including identification, ductility, design factor, proof load and temperature requirements. Importantly, these sockets meet other critical performance requirements including fatigue life, impact properties and material traceability, not addressed by ASME B30.26.
- Type Approval and certification in accordance with ABS 2006 Steel Vessel Rules. 1-1-17.7, and ABS Guide for Certification of Cranes.
- Basket is cast steel and individually magnetic particle inspected.
- Pin diameter and jaw opening allows wedge and socket to be used in conjunction with closed swage and spelter sockets.
- Secures the tail or "dead end" of the wire rope to the wedge, thus eliminates loss or "Punch out" of the wedge.
- Eliminates the need for an extra piece of rope, and is easily installed.
- The TERMINATOR™ wedge eliminates the potential breaking off of the tail due to fatigue.
- The tail, which is secured by the base of the clip and the wedge, is left undeformed and available for reuse.
- Incorporates Crosby's patented QUIC-CHECK® "Go" and "No-Go" feature cast into the wedge. The proper size rope is determined when the following criteria are met:
 - 1) The wire rope should pass thru the "Go" hole in the wedge.
 - 2) The wire rope should NOT pass thru the "No-Go" hole in the wedge.
- Utilizes standard Crosby Red-U-Bolt® wire rope clip.
- The 9-10mm through 28mm standard S-421 wedge socket can be retrofitted with the new style TERMINATOR™ wedge.
- Available with Bolt, Nut, and Cotter Pin.
- U.S. patent 5,553,360, Canada patent 2,217,004 and foreign equivalents.
- Meets the performance requirements of EN 13411-6: 2003.

S-421T Wedge Sockets

Assembly includes Socket, Wedge, Pin and Wire Rope Clip

Wire Rope Dia.		S-421T Stock No.	Weight Each (kg)	S-421TW Stock No. Wedge Only	Wedge Only Weight Each (kg)	Optional G-4082 Bolt, Nut & Cotter	
(mm)	(in.)					G-4082 Stock No.	Weight Each (kg)
9-10	3/8	1035000	1.44	1035555	.23	1092227	.17
11-13	1/2	1035009	2.79	1035564	.48	1092236	.31
14-16	5/8	1035018	4.40	1035573	.81	1092254	.52
18-19	3/4	1035027	6.58	1035582	1.18	1092281	.86
20-22	7/8	1035036	9.75	1035591	1.82	1092307	1.46
24-26	1	1035045	13.9	1035600	2.44	1092325	2.44
28	1-1/8	1035054	20.5	1035609	3.56	1092343	3.40
30-32	1-1/4	1035063	29.4	1035618	4.80	1092372	4.70

Wire Rope Dia.		S-421T Stock No.	Dimensions (mm)														
(mm)	(in.)		A	B	C	D	G	H	J*	K*	L	P	R	S	T	U	V
9-10	3/8	1035000	145	69.1	20.6	20.6	35.1	77.7	198	47.8	22.4	39.6	11.2	54.1	11.2	31.8	35.1
11-13	1/2	1035009	175	88.1	25.4	25.4	41.1	95.5	226	32.0	26.9	49.3	12.7	65.0	13.5	44.5	47.8
14-16	5/8	1035018	210	109	31.8	30.2	53.8	114	273	50.5	31.0	57.2	14.2	82.6	17.5	51.0	55.5
18-19	3/4	1035027	251	130	38.1	35.1	62.0	134	314	61.2	35.6	66.8	16.8	92.2	19.8	59.5	65.0
20-22	7/8	1035036	286	149	44.5	41.4	68.5	156	365	63.0	42.4	79.5	19.1	109	22.4	68.5	74.5
24-26	1	1035045	325	161	51.0	51.0	74.7	177	414	77.2	51.0	95.5	22.4	119	26.2	73.0	83.5
28	1-1/8	1035054	365	176	57.0	57.0	84.0	194	466	65.0	57.0	108	25.4	138	27.9	82.6	90.5
30-32	1-1/4	1035063	415	222	66.5	63.5	90.5	239	520	74.7	59.5	114	26.9	156	30.2	117	125

* Nominal **NOTE:** For intermediate wire rope sizes, use next larger size socket.

The S-423T Super TERMINATOR™ wedge is designed to be assembled only into the Crosby S-421T TERMINATOR™ socket body.

IMPORTANT: The S-423TW for sizes 14mm through 28mm will fit respective size standard Crosby S-421T basket. The 30-32mm S-423TW will only fit the Crosby S-421T 30-32mm basket marked with "TERMINATOR™"

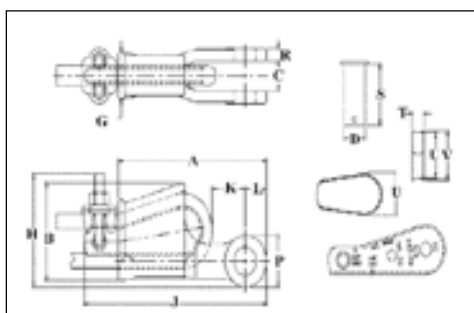
US-422T utility wedge wockets

US-422T



Most sizes now incorporate the "TERMINATOR™" design and may vary in shape from above product shown.

- Basket is cast steel and individually magnetic particle inspected.
- Wedge socket terminations have an efficiency rating of 80% based on the catalog strength of XXIP wire rope.
- Wedges are color coded for easy identification.
 - Blue - largest wire line size for socket.
 - Black - mid size wire line for socket.
 - 11mm on US4
 - 14mm on US5
 - Orange - smallest wire line size for socket.
- Cast into each socket is the name "McKissick", "Crosby" or "CG", its model number and its wire line range.
- By simply changing out the wedge, each socket can be utilized for various wire line sizes (Ensure correct wedge is used for wire rope size).
- Cast into each wedge is the model number of the socket and the wire line size for which the wedge is to be used.
- Load pin is forged and headed on one end.
- US-422T wedge sockets contain a hammer pad (lip) to assist in proper securement of termination.
- Meets or exceeds all requirements of ASME B30.26 including identification, ductility, design factor, proof load and temperature requirements. Importantly, these sockets meet other critical performance requirements including fatigue life, impact properties and material traceability, not addressed by ASME B30.26.
- UWO-422T Wedges are to be used only with the US-422T Wedge Socket Assemblies.



US-422T Utility Wedge Sockets

Model No.	Wire Rope Size		US-422T Stock No.	Weight Each (kg)	Wedge Only Stock No.	Weight Each (kg)	Dimensions (mm)														
	(mm)	(in.)					A	B	C	D	G	H	J	K	L	P	R	S	T	U	V
US4T	10	3/8	1044300	2.09	1047310	.27	173	90.2	25.4	25.4	41.4	71.4	214	35.1	26.9	49.3	12.7	64.3	11.2	48.5	54.4
US4T	11	7/16	1044309	2.09	1047301	.27	173	90.2	25.4	25.4	41.4	71.4	222	27.4	26.9	49.3	12.7	64.3	13.5	44.7	47.8
US4T	13	1/2	1044318	2.09	1047329	.27	173	90.2	25.4	25.4	41.4	71.4	222	25.9	26.9	49.3	12.7	64.3	13.5	44.7	47.8
US5T	13	1/2	1044327	3.86	1047338	.45	233	107	35.8	31.8	54.1	84.1	284	46.7	38.1	76.2	16.0	82.6	19.1	48.8	54.9
US5T	14	9/16	1044336	3.86	1047347	.45	233	107	35.8	31.8	54.1	84.1	291	61.0	38.1	76.2	16.0	82.6	17.5	50.8	55.4
US5T	16	5/8	1044345	3.86	1047356	.45	233	107	35.8	31.8	54.1	84.1	291	59.4	38.1	76.2	16.0	82.6	17.5	50.8	55.4
US6T	16	5/8	1044354	4.26	1047365	.64	240	119	38.1	31.8	56.9	92.2	303	63.0	38.1	76.2	14.2	82.6	22.4	60.5	69.9
US6T	19	3/4	1044363	4.26	1047374	.64	240	119	38.1	31.8	56.9	92.2	300	51.6	38.1	76.2	14.2	82.6	22.4	54.1	66.8
US8AT	16	5/8	1044372	9.0	1047383	1.9	269	144	46.0	41.4	60.5	140	335	48.5	38.9	73.2	19.1	105	17.5	82.8	88.9
US8AT	19	3/4	1044381	9.3	1047392	2.2	269	144	46.0	41.4	60.5	148	344	60.5	38.9	73.2	19.1	105	19.8	79.2	85.9
US7*	22	7/8	1038580	7.48	1046674	1.18	286	130	33.3	31.8	68.3	—	—	65.0	41.4	82.8	16.8	82.6	26.9	53.8	65.0
US7*	25	1	1038589	7.48	1046683	1.18	286	130	33.3	31.8	68.3	—	—	65.0	41.4	82.8	16.8	82.6	26.9	47.8	60.5
US8T	22	7/8	1044404	14.3	1047425	3.4	324	177	46.0	41.4	77.7	183	407	72.9	41.9	79.2	19.1	105	22.4	98.6	106
US8T	25	1	1044417	14.7	1047431	3.9	324	177	46.0	41.4	77.7	186	417	58.9	41.9	79.2	19.1	105	26.2	95.5	103
US10T	28	1-1/8	1044426	25.1	1047440	5.7	405	219	46.0	41.4	90.7	232	501	82.8	55.6	111	19.1	105	27.7	121	129
US10T	32	1-1/4	1044435	26.3	1047459	6.8	405	219	46.0	41.4	90.7	239	514	71.9	55.6	111	19.1	105	30.2	117	125
US11T	28	1-1/8	1044444	27.5	1047468	5.7	415	222	66.5	63.5	90.4	232	507	85.6	59.4	114	26.9	156	27.7	121	129
US11T	32	1-1/4	1044453	29.4	1047477	6.8	415	222	66.5	63.5	90.4	239	520	74.7	59.4	114	26.9	156	30.2	117	125

* Non-"TERMINATOR™" Style



S-423T Super Terminator™

S-423T



Wedge sockets meet the performance requirements of Federal Specification RR-S-550D, Type C, except those provisions required of the contractor. Meets the performance requirements of EN13411-6:2003.

- Wedge socket terminations have a minimum efficiency rating on most high performance, high strength, compacted strand, rotation resistant wire ropes of 80% based on the catalog breaking strength of the various ropes.**
- Patent Pending design eliminates the difficulty of installing high performance wire rope into a wedge socket termination.
- Proper application of the Super TERMINATOR™ eliminates the “first load” requirement of conventional wedge socket terminations.
- S-423TW Wedge Kit can be retrofitted onto existing Crosby S-421T TERMINATOR™ wedge sockets.
- Wedge and accessories provided with a zinc finish.
- Meets the performance requirements of EN13411-6:2003.
- Meets or exceeds all requirements of ASME B30.26 including identification, ductility, design factor, proof load and temperature requirements. Importantly, these sockets meet other critical performance requirements including fatigue life, impact properties and material traceability, not addressed by ASME B30.26.
- Basket is cast steel and individually magnetic particle inspected.
- Pin diameter and jaw opening allows wedge and socket to be used in conjunction with closed swage and spelter sockets.
- Secures the tail or “dead end” of the wire rope to the wedge, thus eliminates loss or “punch out” of the wedge.
- Eliminates the need for an extra piece of rope, and is easily installed.
- The TERMINATOR™ wedge eliminates the potential breaking off of the tail due to fatigue.
- The tail, which is secured by the base of the clip and the tension device, is left undeformed and available for reuse.
- Available with Bolt, Nut, and Cotter Pin.

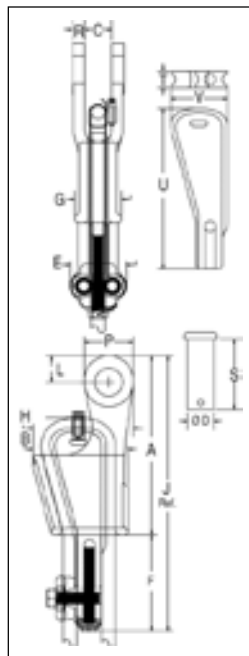
**** NOTICE:** Due to the unique construction of various ropes, Crosby cannot make a broad general statement that all current and future design of ropes, when properly assembled with the Super TERMINATOR™, will achieve a minimum 80% termination efficiency. Contact wire rope manufacturer or Crosby engineering (918-834-4611) to determine efficiency rating for a specific rope.

S-423T Wedge Sockets

Assembly includes Socket, Wedge, Pin, Wire Rope Clip, Tensioner, Bolts and Secondary Retention Wire.

Wire Rope Dia.		S-423T Assembly with Round Pin and Cotter Pin			S-423TB Assembly with Bolt, Nut and Cotter Pin			S-423TW** Wedge Kit		
(in.)	(mm)	S-423T Stock No.	S-423T Weight Each		S-423TB Stock No.	S-423TB Weight Each		S-423TW Stock No.	S423TW Weight Each	
			(lbs.)	(kg)		(lbs.)	(kg)		(lbs.)	(kg)
5/8	14- 16	1035123	12.7	5.8	1035218	13.1	5.9	1034018	5.2	2.4
3/4	18-19	1035132	19.4	8.8	1035227	19.1	8.7	1034027	7.2	3.3
7/8	20-22	1035141	28.8	13.1	1035236	27.8	12.6	1034036	10.3	4.7
1	24-26	1035150	39.2	17.8	1035245	37.3	16.9	1034045	11.9	5.4
1-1/8	28	1035169	57.1	25.9	1035254	57.9	25.9	1034054	19.9	9.0
1-1/4	30-32	1035178	88.6	40.2	1035272	88.1	39.9	1034063	33.8	15.3

** Kit contains Wedge, Wire Rope Clip and Bolts, Tensioner, Tensioner Bolt and Secondary Retention Wire.



Wire Rope Dia.		S-423T Stock No.	Dimensions (mm)															
(mm)	(in.)		A	B	C	D	G	F	G	H	J*	L	P	R	S	T	U	V
14-16	5/8	1035123	210	114	31.8	30.2	76.2	103	54.1	117	313	31.0	57.2	14.2	82.6	19.1	175	66.0
18-19	3/4	1035132	251	132	38.1	35.1	82.6	122	62.0	136	373	35.6	66.5	16.8	92.2	22.4	194	76.7
20-22	7/8	1035141	286	149	44.5	41.4	96.8	146	68.3	156	431	42.4	79.5	19.1	109	25.4	241	88.1
24-26	1	1035150	325	167	50.8	50.8	96.8	146	74.7	179	471	51.1	95.3	22.4	119	28.7	264	97.0
28	1-1/8	1035169	365	176	57.2	102	174	85.9	198	539	574	108	25.4	138	31.8	300	107	
30-32	1-1/4	1035178	415	219	66.5	63.5	114	197	90.7	238	612	59.4	114	26.9	168	35.1	352	148

* Nominal

NOTE: For intermediate wire rope sizes, use next larger size socket.

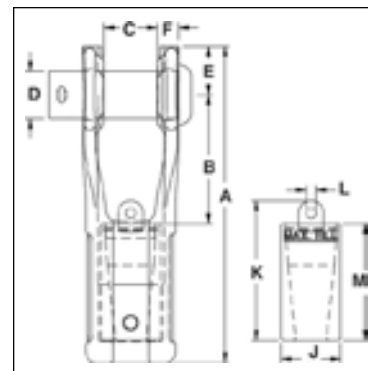
The S-423T Super TERMINATOR™ wedge is designed to be assembled only into the Crosby S-421T TERMINATOR™ socket body. IMPORTANT: The S-423TW for sizes 14mm through 28mm will fit respective size standard Crosby S-421T basket. The 30-32mm S-423TW will only fit the Crosby S-421T 30-32mm basket marked with “TERMINATOR™”.

Button spelter sockets

SB-427



- Available in six sizes from 13mm - 38mm.
- Button Spelter terminations have a 100% efficiency rating, based on the catalog strength of the wire rope.
- Designed for use with mobile cranes. Can be used to terminate high performance, rotation resistant ropes, and standard 6 strand ropes.
- Easy to install assembly utilizes Crosby® WIRELOCK® socketing compound.
- Sockets and buttons are re-usable.
- Replacement buttons and sockets are available.
- Locking feature available to prevent rotation of rope.
- Button contains cap with eye that can be attached to, and used to pull, rope during reeving process.



SB-427 Button Spelter Sockets

Wire Rope Size		SB-427 Stock No.	Ultimate Load (t)	Weight Each (kg)	Socket Only Stock No.	Button Only Stock No.	Dimensions (mm)									
(mm)	(in.)						A	B	C	D	E	F	J	K	L	M
13-16	1/2 - 5/8	1052005	27	2.76	1052107	1052309	202	82	33	30	31	14	38	89	6	74
16-19	5/8 - 3/4	1052014	45	4.67	1052116	1052318	240	99	39	35	37	17	44	109	10	87
19-22	3/4 - 7/8	1052023	57	7.75	1052125	1052327	275	112	45	41	43	19	52	121	10	101
22-26	7/8 - 1	1052032	82	13.24	1052134	1052336	327	139	52	51	51	23	62	143	16	115
28-32	1-1/8 - 1-1/4	1052041	136	20.86	1052143	1052345	378	144	64	57	64	28	75	180	19	145
35-38	1-3/8 - 1-1/2	1052050	161	35.38	1052152	1052354	459	182	77	70	70	31	92	205	19	172

SB-427TB (Bolt, Nut and Cotter Pin)

Wire Rope Size		SB-427 Stock No.	Ultimate Load (t)	Weight Each (kg)	Socket Only Stock No.	Button Only Stock No.	Dimensions (mm)									
(mm)	(in.)						A	B	C	D	E	F	J	K	L	M
13-16	1/2 - 5/8	1052406	27	2.76	1052107	1052309	202	82	33	30	31	14	38	89	6	74
16-19	5/8 - 3/4	1052415	45	4.67	1052116	1052318	240	99	39	35	37	17	44	109	10	87
19-22	3/4 - 7/8	1052424	57	7.75	1052125	1052327	275	112	45	41	43	19	52	121	10	101
22-26	7/8 - 1	1052433	82	13.24	1052134	1052336	327	139	52	51	51	23	62	143	16	115
28-32	1-1/8 - 1-1/4	1052442	136	20.86	1052143	1052345	378	144	64	57	64	28	75	180	19	145
35-38	1-3/8 - 1-1/2	1052451	161	35.38	1052152	1052354	459	182	77	70	70	31	92	205	19	172

Wirelock Requirements

Wire Rope Size		WIRELOCK Required (cc)	WIRELOCK Stock No.	WIRELOCK Kit Size (cc)
(mm)	(in.)			
13-16	1/2 - 5/8	35	1039602	100
16-19	5/8 - 3/4	60	1039602	100
19-22	3/4 - 7/8	100	1039602	100
22-26	7/8 - 1	140	1039602*	100
28-32	1-1/8 - 1-1/4	250	1039604	250
35-38	1-3/8 - 1-1/2	420	1039606	500

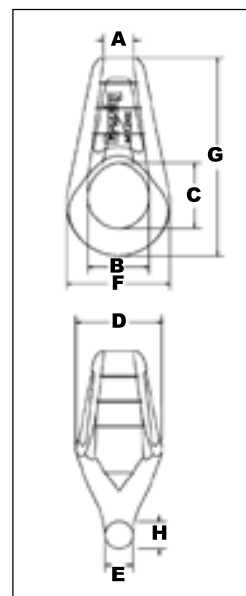
* 2 kits required.

Mooring sockets

G-517



- Wide range of sizes available:
 - 32mm through 102mm Wire Line
- "M-Line" socket terminations have a 100% efficiency rating, based on the catalog strength of the wire rope. Ratings are based on recommended use with 6 x 7, 6 x 19, or 6 x 36, IPS or XIP (EIP), XXIP (EEIP), RRL, FC, or IWRC wire rope. Strand constructed with minimal number of wires (e.g. 1 x 7) requires special consideration that socket basket be five (5) times the strand diameter or fifty (50) times the wire diameter, whichever is the greater.
- Galvanized finish.
- Designed for today's higher strength classes of wire rope.
- Design of bail allows for easy connection to shackles and other connecting links.
- Socket design utilizes features to keep cone from rotating.



NOTICE: All Cast Mooring Sockets are Individually Magnetic Particle Inspected and Ultrasonic Inspected.

G-517 "M-Line" Mooring Sockets

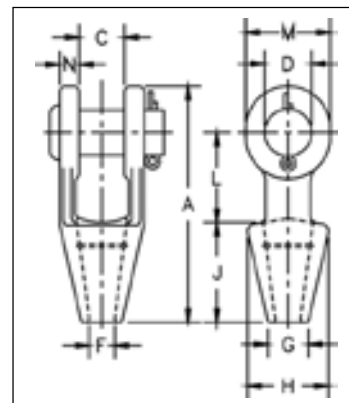
Wire Rope Size		Ultimate Load (t)	G-517 Stock No.	Weight Each (kg)	Dimensions (mm)							
(mm)	(in.)				A	B	C	D	E	F	G	H
32-35	1-1/4 - 1-3/8	113	1004943	7.7	41.4	78.5	92.2	113	36.6	130	277	38.9
38-41	1-1/2 - 1-5/8	136	1004961	13.6	49.5	93.7	110	138	40.6	160	330	46.0
44-48	1-3/4 - 1-7/8	181	1004989	19.5	56.6	106	115	160	46.7	183	358	53.1
50-54	2 - 2-1/8	227	1005002	25.9	63.5	121	134	178	53.1	210	407	56.9
57-60	2-1/4 - 2-3/8	277	1005020	34.5	70.6	133	146	196	58.7	233	455	66.6
64-67	2-1/2 - 2-5/8	363	1005048	48.1	77.5	149	170	217	68.3	257	505	67.6
70-73	2-3/4 - 2-7/8	454	1005066	62.6	84.6	165	181	237	76.2	282	549	63.0
76-79	3 - 3-1/8	544	1005084	87.5	89.9	184	197	262	82.6	313	597	82.3
82-86	3-1/4 - 3-3/8	635	1005105	104	96.8	194	224	278	88.9	334	654	87.1
88-92	3-1/2 - 3-5/8	735	1005123	127	105	203	230	298	93.7	355	703	105
95-102	3-3/4 - 4	907	1005141	174	112	222	267	328	93.7	403	765	113

Open spelter sockets

G-416 / S-416



- Forged Steel Sockets through 38mm, cast alloy steel 40mm through 102mm.
- Spelter socket terminations have an efficiency rating of 100%, based on the catalog strength of wire rope. Ratings are based on recommended use with 6 x 7, 6 x 19, or 6 x 36, IPS or XIP (EIP), XXIP (EEIP), RRL, FC, or IWRC wire rope. Strand constructed with minimal number of wires (e.g. 1 x 7) requires special consideration that socket basket be five (5) times the strand diameter or fifty (50) times the wire diameter, whichever is the greater.



Open Grooved Sockets meet the performance requirements of Federal Specification RR-S-550D, Type A, except for those provisions required of the contractor.

NOTICE: All cast steel sockets 40mm and larger are magnetic particle inspected and ultrasonic inspected. Proof testing available on special order.

Drawing illustrates one groove used on sockets 6mm through 18mm. Sizes 20mm through 38mm use 2 grooves. Sizes 40mm and larger use 3 grooves.

G-416 / S-416 Open Spelter Sockets

Rope Dia.		Structural Strand Dia. (mm)	Ultimate Load (t)	Stock No.		Weight Each (kg)	Dimensions (mm)									
(mm)	(in.)			G-416 Galv.	S-416 S.C.		A	C	D	F	G	H	J	L	M	N
6-7	1/4	-	4.50	1039619	1039628	.50	116	19.1	17.5	9.65	17.5	39.6	57.0	39.6	33.3	9.1
8-10	5/16-3/8	-	12.0	1039637	1039646	.59	123	20.6	20.6	12.7	20.6	42.9	57.0	44.5	38.1	11.2
11-13	7/16-1/2	-	20.0	1039655	1039664	1.02	141	25.4	25.4	14.2	23.9	47.8	63.5	51.0	47.8	12.7
14-16	9/16-5/8	12-13	27.0	1039673	1039682	1.63	171	31.8	30.2	17.5	28.7	57.0	76.0	63.5	57.0	14.2
18	3/4	14-16	43.0	1039691	1039708	2.64	202	38.1	35.1	20.6	31.8	66.5	89.0	76.0	66.5	15.7
20-22	7/8	18-19	55.0	1039717	1039726	4.38	235	44.5	41.4	23.9	38.1	82.5	102	89.0	79.5	20.3
24-26	1	20-22	78.0	1039735	1039744	7.03	268	51.0	51.0	28.7	44.5	95.5	114	102	95.5	22.4
28-30	1-1/8	24-26	92.0	1039753	1039762	9.75	300	57.0	57.0	31.8	51.0	105	127	117	105	25.4
32-35	1-1/4 - 1-3/8	28	136	1039771	1039780	14.1	335	63.5	63.5	38.1	57.0	121	140	127	121	28.7
38	1-1/2	30-32	170	1039799	1039806	21.4	384	76.0	70.0	41.4	70.0	133	152	152	137	30.2
* 40-42	* 1-5/8	33-35	188	1039815	1039824	24.9	413	76.0	76.0	44.5	76.0	140	165	165	146	33.3
* 44-48	* 1-3/4 - 1-7/8	36-40	268	1039833	1039842	37.2	464	89.0	89.0	51.0	79.5	162	191	178	165	39.6
* 50-54	* 2 - 2-1/8	42-45	291	1039851	1039860	59	546	102	95.5	57.0	95.5	187	216	229	178	46.0
* 56-60	* 2-1/4 - 2-3/8	46-48	360	1039879	1039888	76	597	114	108	63.5	102	210	229	254	197	54.0
* 64-67	* 2-1/2 - 2-5/8	50-54	424	1041633	1041642	114	648	127	121	73.0	114	235	248	274	216	60.5
* 70-73	* 2-3/4 - 2-7/8	56-62	511	1041651	1041660	143	692	133	127	79.0	124	267	279	279	229	73.0
* 75-80	* 3 - 3-1/8	64-67	563	1041679	1041688	172	737	146	133	86.0	133	282	305	287	241	76.0
* 82-86	* 3-1/4 - 3-3/8	70-73	722	1041697	1041704	197	784	159	140	92.0	146	302	330	300	254	79.0
* 88-92	* 3-1/2 - 3-5/8	76-80	779	1041713	1041722	255	845	171	152	98.5	165	314	356	318	274	82.5
* 94-102	* 3-3/4 - 4	-	875	1041731	1041740	355	921	191	178	108	184	346	381	343	318	89.0

* Cast Alloy Steel.

NOTE: Available with bolt nut and cotter.

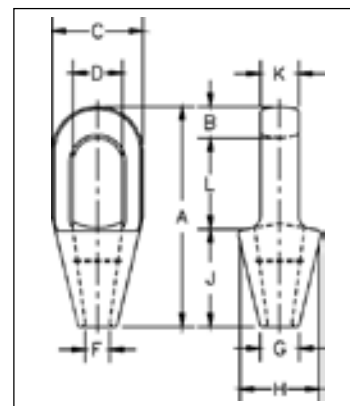


Closed spelter sockets

G-417 / S-417



- Forged Steel Sockets through 38mm, cast alloy steel 40mm through 100mm.
- Spelter socket terminations have an efficiency rating of 100%, based on the catalog strength of wire rope. Ratings are based on the recommended use with 6 x 7, 6 x 19 or 6 x 36, IPS or XIP (EIP), XXIP (EEIP), RRL, FC or IWRC wire rope. Strand constructed with minimal number of wires (e.g. 1 x 7) requires special consideration that socket basket be five (5) times the strand diameter or fifty (50) times the wire diameter, whichever is the greater.



Closed grooved Sockets meet the performance requirements of Federal Specification RR-S-550D, Type B, except for those provisions required of the contractor.

NOTICE: All cast steel sockets 40mm and larger are magnetic particle inspected and ultrasonic inspected. Proof testing available on special order.

Drawing illustrates one groove used on sockets 6mm through 18mm. Sizes 20mm through 38mm use 2 grooves. Sizes 40mm and larger use 3 grooves.

G-417 / S-417 Closed Spelter Sockets

Rope Dia.		Structural Strand Dia. (mm)	Ultimate Load (t)	Stock No.		Weight Each (kg)	Dimensions (mm)									
(mm)	(in.)			G-417 Galv.	S-417 S.C.		A	B	C	D*	F	G	H	J	K	L
6-7	1/4	-	4.50	1039897	1039904	.23	116	12.7	39.6	22.4	9.65	17.5	39.6	57.2	12.7	46.0
8-10	5/16 - 3/8	-	12.0	1039913	1039922	.34	125	15.8	42.9	24.6	12.7	20.6	42.9	57.2	17.5	52.3
11-13	7/16 - 1/2	-	20.0	1039931	1039940	.68	140	17.5	51.0	29.5	14.2	23.9	51.0	63.5	22.4	58.7
14-16	9/16 - 5/8	12-13	30.8	1039959	1039968	1.13	162	20.6	67.0	35.8	17.5	30.2	67.0	76.2	25.4	65.0
18	3/4	14-16	43.5	1039977	1039986	1.92	194	26.9	76.2	42.2	22.4	33.3	70.0	89.0	31.8	77.7
20-22	7/8	18-19	65.3	1039995	1040000	3.28	226	33.3	92.0	49.3	25.4	38.1	82.5	102	38.1	90.5
24-26	1	20-22	81.6	1040019	1040028	4.76	254	36.6	105	58.5	28.7	44.5	95.5	114	44.5	103
28-30	1-1/8	24-26	100	1040037	1040046	6.46	283	39.6	114	65.0	31.8	51.0	105	127	51.0	116
32-35	1-1/4 - 1-3/8	28	136	1040055	1040064	8.95	309	41.4	127	71.0	38.1	58.5	119	138	56.5	129
38	1-1/2	30-32	170	1040073	1040082	13.24	355	49.3	137	81.0	41.4	70.5	132	151	62.5	155
† 40-42	† 1-5/8	33-35	188	1040091	1040108	16.32	390	54.0	146	82.5	44.5	76.2	140	165	70.0	171
† 44-48	† 1-3/4 - 1-7/8	36-40	268	1040117	1040126	25.96	445	55.5	171	95.5	51.0	79.5	162	191	76.2	198
† 50-54	† 2 - 2-1/8	42-45	309	1040135	1040144	35.83	505	62.0	194	111	57.2	95.5	187	216	82.5	224
† 56-60	† 2-1/4 - 2-3/8	46-48	360	1040153	1040162	47.62	546	70.0	216	127	66.8	105	210	229	92.0	248
† 64-67	† 2-1/2 - 2-5/8	50-54	424	1041759	1041768	63.50	597	79.5	241	140	74.5	114	235	248	102	270
† 70-73	† 2-3/4 - 2-7/8	56-62	549	1041777	1041786	99.79	645	79.5	273	159	79.5	124	259	279	124	286
† 75-80	† 3 - 3-1/8	64-67	656	1041795	1041802	125	689	85.6	292	171	86.0	133	292	305	133	298
† 82-86	† 3-1/4 - 3-3/8	70-73	750	1041811	1041820	142	743	102	311	184	92.0	146	311	330	146	311
† 88-92	† 3-1/2 - 3-5/8	76-80	820	1041839	1041848	181	787	102	330	197	98.5	160	330	356	159	330
† 94 - 102	† 3-3/4 - 4	-	1005	1041857	1041866	246	845	108	362	216	108	184	362	381	178	356

* Diameter of pin must not exceed pin used on companion 416 socket. Reference adjacent page "D" dimension.

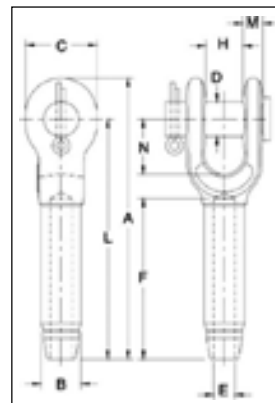
† Cast Alloy Steel.

Open swage sockets

S-501



- Forged from special bar quality carbon steel, suitable for cold forming.
- Swage Socket terminations have an efficiency rating of 100% based on the catalog strength of wire rope.
- Hardness controlled by spheroidize annealing.
- Stamp for identification after swaging without concern for fractures (as per directions in National Swaging Brochure).
- Swage sockets incorporate a reduced machined area of the shank which is equivalent to the proper "After Swage" dimension. Before swaging, this provides for an obvious visual difference in the shank diameter. After swaging, a uniform shank diameter is created allowing for a **QUIC-CHECK®** and permanent visual inspection opportunity.
- Designed to quickly determine whether the socket has been through the swaging operation and assist in field inspections, it does not eliminate the need to perform standard production inspections which include gauging for the proper "After Swage" dimensions or proof loading.
- U.S. Patent 5,152,630 and foreign equivalents.



NOTE: S-501 Swage Sockets are recommended for use with 6 x 19 or 6 x 36, IPS or XIP (EIP), XXIP (EEIP), RRL, FC or IWRC wire rope.

Before using any National Swage fitting with any other type lay, construction or grade of wire rope, it is recommended that the termination be destructive tested and documented to prove the adequacy of the assembly to be manufactured.

In accordance with ASME B30.9, all slings terminated with swage sockets shall be proof loaded.*

S-501 Open Swage Sockets

S-501 and S-501B Open Socket Specifications														Press / Die Data						
S-501 Stock No.	S-501B Stock No. **	Rope Size*		Wt. Each (kg)	Before Swage Dimensions (mm)										Max. After Swage Dim. (mm)	Die Description	Stock No.		Side Load	
		(mm)	(in.)		A	B	C	D	E	F	H	L	M	N			500 1000 1500 Ton 5 x 7	1500 3000 Ton 6 x 12	1500 Ton 6 x 12	3000 Ton 6 x 12
1039021	1054001	6	1/4	0.24	122	12.7	35.1	17.5	6.85	54.0	17.5	102	9.65	38.1	11.7	1/4 Socket	1192845	-	-	-
1039049	1054010	8	5/16	0.51	159	19.6	41.1	20.6	8.65	81.0	20.6	135	11.9	44.5	18.0	5/16-3/8 Socket	1192863	-	-	-
1039067	1054029	9-10	3/8	0.59	159	19.6	41.1	20.6	10.4	81.0	20.6	135	11.9	44.5	18.0	5/16-3/8 Socket	1192863	-	-	-
1039085	1054038	11-12	7/16	0.94	198	24.9	51.0	25.4	12.2	108	25.4	170	14.2	51.0	23.1	7/16-1/2 Socket	1192881	-	-	-
1039101	1054047	13	1/2	0.94	198	24.9	51.0	25.4	14.0	108	25.4	170	14.2	51.0	23.1	7/16-1/2 Socket	1192881	-	-	-
1039129	1054056	14	9/16	2.12	241	31.8	60.5	30.2	15.5	135	31.8	207	17.3	57.0	29.5	9/16-5/8 Socket	1192907	-	-	-
1039147	1054065	16	5/8	2.05	241	31.8	60.5	30.2	17.0	135	31.8	207	17.3	57.0	29.5	9/16-5/8 Socket	1192907	-	-	-
1039165	1054074	18-20	3/4	3.62	294	39.4	70.0	35.1	20.3	162	38.1	254	19.8	70.0	36.1	3/4 Socket	1192925	-	-	-
1039183	1054083	22	7/8	5.23	341	43.2	79.5	41.1	23.9	189	44.5	295	23.9	82.5	39.4	7/8 Socket	1192943	-	-	-
1039209	1054092	24-26	1	8.07	393	50.5	93.5	51.0	26.9	216	51.0	340	26.9	95.5	45.7	1 Socket	1192961	-	-	-
1039227	1054104	28	1-1/8	11.5	440	57.0	103	57.0	30.2	243	57.0	381	30.2	108	52.0	1-1/8 Socket	1192989	-	-	-
1039245	1054113	32	1-1/4	16.1	484	64.5	114	63.5	33.8	270	63.5	419	31.0	121	58.5	1-1/4 Socket	1193005	-	-	-
1039263	1054122	34-36	1-3/8	19.8	532	71.0	127	63.5	36.8	297	63.5	461	35.1	133	65.0	1-3/8 Socket	1193023	-	-	-
1039281	1054131	38-40	1-1/2	26.5	589	78.0	140	70.0	40.1	325	76.0	502	42.9	145	71.5	1-1/2 Socket	1193041	1191267	1195355	1195192
1039307	1054140	44	1-3/4	40.3	676	86.0	170	89.0	47.2	378	89.0	584	53.5	171	77.5	1-3/4 Socket	1193069	1191276	1195367	1195209
1042767	1054159	48-52	2	66	799	100	203	95.5	53.5	432	102	683	60.0	203	90.5	2 Socket	1193087	1191294	1195379	1195218

* Maximum Proof Load shall not exceed 50% of XXIP rope catalog breaking strength.

** Assembly with bolt, nut and cotter pin.

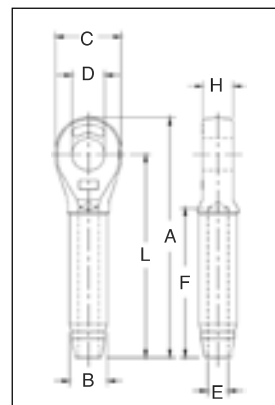


Closed swage sockets

S-502



- Forged from special bar quality carbon steel, suitable for cold forming.
- Swage Socket terminations have an efficiency rating of 100% based on the catalog strength of wire rope.
- Hardness controlled by spheroidize annealing.
- Stamp for identification after swaging without concern for fractures (as per directions in National Swaging Brochure).
- Swage sockets incorporate a reduced machined area of the shank which is equivalent to the proper "After Swage" dimension. Before swaging, this provides for an obvious visual difference in the shank diameter. After swaging, a uniform shank diameter is created allowing for a **QUIC-CHECK®** and permanent visual inspection opportunity.
- Designed to quickly determine whether the socket has been through the swaging operation and assist in field inspections, it does not eliminate the need to perform standard production inspections which include gauging for the proper "After Swage" dimensions or proof loading.
- U.S. Patent 5,152,630 and foreign equivalents.



NOTE: S-502 Swage Sockets are recommended for use with 6 x 19 or 6 x 36, IPS or XIP (EIP), XXIP (EEIP), RRL, FC or IWRC wire rope.

Before using any National Swage fitting with any other type lay, construction or grade of wire rope, it is recommended that the termination be destructive tested and documented to prove the adequacy of the assembly to be manufactured.

In accordance with ASME B30.9, all slings terminated with swage sockets shall be proof loaded.*

S-502 Closed Swage Sockets

S-502 Closed Socket Specifications												Press / Die Data					
S-502 Stock No.	Rope Size*		Wt. Each (kg)	Before Swage Dimensions (mm)								Max. After Swage Dim. (mm)	Die Description	Stock No.		Side Load	
	(mm)	(in.)		A	B	C	D	E	F	H	L			500 1000 1500 Ton 5 x 7	1500 3000 Ton 6 x 12	1500 Ton 6 x 12	3000 Ton 6 x 12
	1039325	6		1/4	.15	109	12.7	35.1	19.1	6.85	54.0			12.7	89.0	11.7	1/4 Socket
1039343	8	5/16	.34	138	19.6	41.1	22.4	8.65	81.0	17.0	114	18.0	5/16-3/8 Socket	1192863	-	-	-
1039361	9-10	3/8	.33	138	19.6	41.1	22.4	10.4	81.0	17.0	114	18.0	5/16-3/8 Socket	1192863	-	-	-
1039389	11-12	7/16	.64	176	24.9	51.0	26.9	12.2	108	21.8	146	23.1	7/16-1/2 Socket	1192881	-	-	-
1039405	13	1/2	.64	176	24.9	51.0	26.9	14.0	108	21.8	146	23.1	7/16-1/2 Socket	1192881	-	-	-
1039423	14	9/16	1.32	220	31.8	60.5	31.8	15.5	135	28.7	184	29.5	9/16-5/8 Socket	1192907	-	-	-
1039441	16	5/8	1.29	220	31.8	60.5	31.8	17.0	135	28.7	184	29.5	9/16-5/8 Socket	1192907	-	-	-
1039469	18-20	3/4	2.27	261	39.4	73.0	36.6	20.3	162	33.3	219	36.1	3/4 Socket	1192925	-	-	-
1039487	22	7/8	3.08	303	43.2	79.0	42.9	23.9	189	38.1	257	39.4	7/8 Socket	1192943	-	-	-
1039502	24-26	1	4.72	344	50.5	92.0	52.5	26.9	216	44.5	292	45.7	1 Socket	1192961	-	-	-
1039520	28	1-1/8	6.72	382	57.0	102	58.5	30.2	243	51.0	324	52.0	1-1/8 Socket	1192989	-	-	-
1039548	32	1-1/4	9.78	430	64.5	114	65.0	33.8	270	57.0	365	58.5	1-1/4 Socket	1193005	-	-	-
1039566	34-36	1-3/8	12.9	473	71.0	127	65.0	36.8	297	57.0	400	65.0	1-3/8 Socket	1193023	-	-	-
1039584	38-40	1-1/2	17.3	511	78.0	137	71.5	40.1	325	65.0	432	71.5	1-1/2 Socket	1193041	1191267	1195355	1195192
1039600	44	1-3/4	23.1	598	86.0	159	90.5	47.2	378	76.0	508	77.5	1-3/4 Socket	1193069	1191276	1195367	1195209
1042589	48-52	2	40.5	702	100	184	96.5	53.5	432	82.5	584	90.5	2 Socket	1193087	1191294	1195379	1195218

* Maximum Proof Load shall not exceed 50% of XXIP rope catalog breaking strength.

Socketing compound

Wirelock is a unique socketing compound for use with wire ropes. It is quite simply the best socketing solution for safety, dependability and unparalleled fatigue performance. Wirelock started life in 1962 and has been in general use for almost 50 years. Wirelock is part of the Millfield Group.

Wirelock is the original cold socketing compound and, therefore, eliminates the hazards of working with a molten metal, allowing socketing to be done on site in virtually all weather conditions. It is extremely difficult to produce a void free socket when using molten metal, but extremely easy to produce a void free socket using Wirelock. This ensures a quality socket every time.

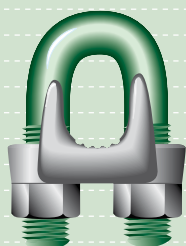
Wirelock is the preferred socketing medium for offshore mooring systems worldwide. Moreover, it is the only socketing system that meets the requirements of DNV's Certification Notes no. 2.5 "Certification of Mooring Steel Wire Ropes" May 1995. It has both Lloyd's approval and ABS type approval.

Kit sizes:

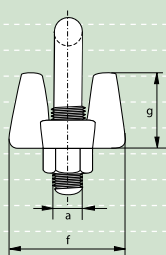
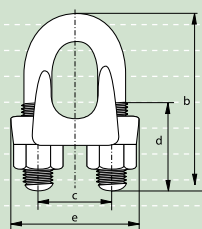
- 100 cc
- 250 cc
- 500 cc
- 1,000 cc
- 2,000 cc
- 3,000 cc

Other sizes available to order.

Guide to amount WIRELOCK® required					
Wire Rope Size		WIRELOCK® required (cc)	Wire Rope Size		WIRELOCK® required (cc)
(mm)	(in.)		(mm)	(in.)	
6-7	1/4	9	44	1-3/4	700
8	5/16	17	48	1-7/8	700
9-10	3/8	17	51	2	1,265
11	7/16	35	54	2-1/8	1,265
13	1/2	35	56	2-1/4	1,410
14	9/16	52	60	2-3/8	1,410
16	5/8	52	64	2-1/2	1,830
20	3/4	86	67	2-5/8	1,830
22	7/8	125	70	2-3/4	2,250
26	1	160	76	3	3,160
28	1-1/8	210	82	3-1/4	3,795
32	1-1/4	350	88	3-1/2	4,920
36	1-3/8	350	94	3-3/4	5,980
40	1-1/2	420	102	4	7,730
42	1-5/8	495	-	-	-



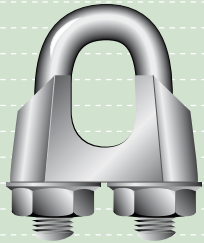
G-6240



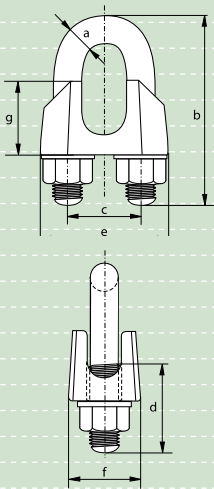
Green Pin® wire rope clips generally to EN 13411-5 Type B

- **Material** : Bridge : drop forged high tensile steel SAE 1045
U-bolt : SAE 1015
- **Standard** : EN 13411-5 Type B
Formerly U.S. Federal Specification FF-C-450D
- **Finish** : hot dipped galvanized
nuts for diameter bow 5 and 6 mm are electro-galvanized
- **Certification** : a works certificate can be supplied upon request

diameter wire rope	diameter	length bow	width inside	length thread	length base	thickness base	height base	weight per 100 pcs	
inch	mm	a	b	c	d	e	f	g	
1/8	4	5	24	12	11	24	21	10	2
3/16	5	6	31	15	13	29	24	13	4
1/4	7	8	34	19	13	37	30	18	8
5/16	8	10	45	22	19	43	33	19	14
3/8	10	11	49	26	19	49	42	25	19
7/16	11	12	60	30	25	58	46	26	31
1/2	13	13	61	30	25	58	48	31	34
9/16	15	14	72	33	32	63	52	31	36
5/8	16	14	74	33	32	64	54	36	45
3/4	20	16	86	38	37	72	57	38	68
7/8	22	19	98	45	41	80	62	40	108
1	26	19	108	48	46	88	67	47	113
1 1/8	30	19	117	51	51	91	73	48	140
1 1/4	34	22	130	59	54	105	79	56	207
1 3/8	36	22	140	60	59	108	79	58	234
1 1/2	40	22	147	66	60	112	85	64	266
1 5/8	42	25	161	70	67	121	92	67	329
1 3/4	46	29	174	78	70	134	97	76	441
2	52	32	195	86	78	150	113	85	603
2 1/4	58	32	213	98	81	162	116	100	707
2 1/2	65	32	227	105	87	168	119	113	806
2 3/4	72	32	243	112	91	174	127	124	1000
3	78	38	271	121	98	194	135	136	1440



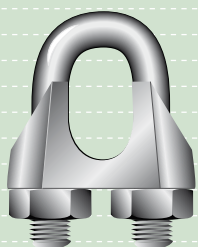
E-6260



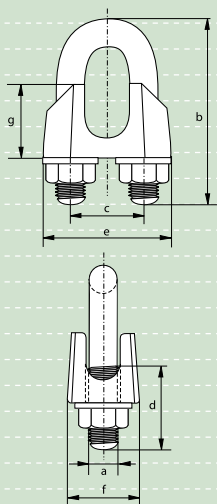
Wire rope clips generally to EN 13411-5 Type A

- **Material** : Bridge : malleable steel
U-bolt : mild steel
- **Standard** : EN 13411-5 Type A
Formerly DIN 1142
- **Finish** : electro-galvanized
- **Certification** : a works certificate can be supplied upon request

diameter wire rope	diameter a	length bow b	width inside c	length thread d	length base e	thickness base f	height base g	weight per 100 pcs
mm	mm	mm	mm	mm	mm	mm	mm	kg
5	5	25	12	14	25	13	13	2
6.5	6	32	14	17	30	16	14	4
8	8	41	18	20	39	20	18	8.2
10	8	46	20	24	40	20	21	9.2
12	10	56	24	28	50	25	24	21.5
13	12	64	29	29	55	28	29	27.5
14	12	66	28	31	59	30	28	39.5
16	14	76	34	35	64	32	35	43
19	14	83	37	36	68	33	40	49
22	16	96	41	40	74	34	44	68
26	20	111	46	50	84	38	51	117
30	20	127	54	55	95	41	59	140
34	22	141	60	60	105	45	67	213
40	24	159	68	65	117	49	77	268



E-6220



Wire rope clips generally to DIN 741

- **Material** : Bridge : casted
U-bolt : mild steel
- **Standard** : formerly DIN 741
- **Finish** : electro-galvanized
- **Certification** : a works certificate can be supplied upon request

diameter wire rope	diameter a	length bow b	width inside c	length thread d	length base e	thickness base f	height base g	weight per 100 pcs kg
3	4	20	9	12	21	10	10	1.4
5	5	24	11	13	23	11	10	1.5
6	5	28	13	15	26	12	11	2.1
8	6	34	16	19	30	14	15	4.1
10	8	42	19	22	34	18	17	6.8
11	8	44	20	22	36	19	18	7.2
13	10	55	24	30	42	23	21	13
14	10	57	25	30	44	23	22	13.5
16	12	63	29	33	50	26	26	21
19	12	75	32	38	54	29	30	28
22	14	85	37	44	61	33	34	40
26	14	95	41	45	65	35	37	44
30	16	110	48	50	74	37	43	66
34	16	120	52	55	80	42	50	75
40	16	140	58	60	88	45	55	104
45	18	163	65	75	97	49	60	134
50	20	170	72	77	106	51	65	175

Forged wire rope clips

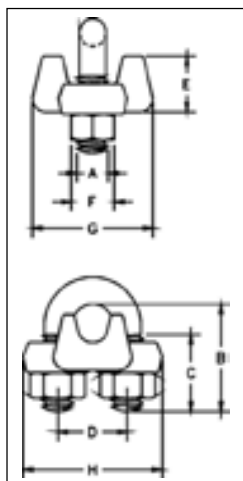
G-450



- Each base has a Product Identification Code (PIC) for material traceability, the name CROSBY or CG, and a size forged into it.
- Based on the catalog breaking strength of wire rope, Crosby wire rope clips have an efficiency rating of 80% for 3-4mm to 22mm sizes, and 90% for sizes 24-26mm through 90mm.
- Entire Clip-Galvanized to resist corrosive and rusting action.
- Sizes 1/8" through 2-1/2" and 3" (3mm through 65mm and 75-78mm) have forged bases.
- All Clips are individually bagged or tagged with proper application instructions and warning information.
- Clip sizes up through 1-1/2" (38mm) have rolled threads.
- Meets or exceeds all requirements of ASME B30.26 including identification, ductility, design factor, proof load and temperature requirements. Importantly, these wire rope clips meet other critical performance requirements including fatigue life, impact properties and material traceability, not addressed by ASME B30.26.
- Look for the Red-U-Bolt®, your assurance of Genuine Crosby Clips.

Crosby Clips, all sizes except 68-72mm and 85-90mm meet the performance requirements of EN13411:2003. Crosby Clips, all sizes 6 mm and larger, meet the performance requirements of Federal Specification FF-C-450 TYPE 1 CLASS 1, except for those provisions required of the contractor.

G-450 Crosby® Clips



Rope Size		G-450 Stock No.	Std. Package Qty.	Weight Per 100 (kg)	Dimensions (mm)							
(mm)	(in.)				A	B	C	D	E	F	G	H
3-4*	1/8*	1010015	100	2.72	5.60	18.3	11.2	11.9	10.4	9.65	20.6	23.9
5*	3/16*	1010033	100	4.54	6.35	24.6	14.2	15.0	12.7	11.2	23.9	29.5
6-7	1/4	1010051	100	8.62	7.85	26.2	12.7	19.1	16.8	14.2	30.2	36.6
8	5/16	1010079	100	12.7	9.65	35.1	19.1	22.4	18.3	17.5	33.3	42.9
9-10	3/8	1010097	100	21.8	11.2	38.1	19.1	25.4	23.1	19.1	41.4	49.3
11	7/16	1010113	50	35.4	12.7	47.8	25.4	30.2	26.2	22.4	46.0	58.0
12-13	1/2	1010131	50	36.3	12.7	47.8	25.4	30.2	28.7	22.4	48.5	58.0
14-15	9/16	1010159	50	49.4	14.2	57.0	31.8	33.3	31.0	23.9	52.5	63.5
16	5/8	1010177	50	49.9	14.2	60.5	31.8	33.3	34.0	23.9	52.5	63.5
18-20	3/4	1010195	25	64	15.7	70.0	36.6	38.1	35.8	26.9	57.0	72.0
22	7/8	1010211	25	96	19.1	79.0	41.1	44.5	40.4	31.8	62.0	80.5
24-26	1	1010239	10	114	19.1	89.0	46.0	47.8	45.2	31.8	67.0	88.0
28-30	1-1/8	1010257	10	128	19.1	98.5	51.0	51.0	48.5	31.8	71.5	91.0
32-34	1-1/4	1010275	10	199	22.4	108	54.0	59.4	55.5	36.6	79.5	105
36	1-3/8	1010293	10	200	22.4	118	58.5	59.4	58.5	36.6	79.5	106
38	1-1/2	1010319	10	247	22.4	125	60.5	66.5	62.0	36.6	86.5	113
41-42	1-5/8	1010337	Bulk	319	25.4	135	66.5	70.0	67.5	41.4	92.0	121
44-46	1-3/4	1010355	Bulk	424	28.7	146	70.0	77.5	74.5	46.0	97.0	134
48-52	2	1010373	Bulk	590	31.8	164	76.0	86.0	77.0	51.0	113	149
56-58	2-1/4	1010391	Bulk	726	31.8	181	81.0	98.5	81.0	51.0	114	162
62-65	2-1/2	1010417	Bulk	862	31.8	195	87.5	105	93.5	51.0	119	168
** 68-72	** 2-3/4	1010435	Bulk	1043	31.8	211	90.5	111	124	51.0	127	175
75-78	3	1010453	Bulk	1406	38.1	233	98.5	121	119	60.5	149	194
** 85-90	** 3-1/2	1010426	Bulk	1814	38.1	273	114	140	152	60.5	157	213

* Electro-plated U-Bolt and Nuts. ** 70mm and 89mm base is made of cast steel.

- Each base has a Product Identification Code (PIC) for material traceability, the name CROSBY or "CG", and a size forged into it.
- Entire clip is made from 316 Stainless Steel to resist corrosive and rusting action.
- All components are Electro-Polished.
- All Clips are individually bagged or tagged with proper application instructions and warning information.

SS-450



SS-450 Stainless Steel Wire Rope Clips

Rope Size		SS-450 Stock No.	Std. Package Qty.	Weight Per 100 (kg)	Dimensions (mm)							
(mm)	(in.)				A	B	C	D	E	F	G	H
3-4	1/8	1011250	Bulk	2.72	5.60	18.3	11.2	11.9	10.4	9.65	20.6	23.9
5	3/16	1011261	Bulk	4.54	6.35	24.6	14.2	15.0	12.7	11.2	23.9	29.5
6-7	1/4	1011272	Bulk	9.07	7.85	26.2	12.7	19.1	16.8	14.2	30.2	36.6
9-10	3/8	1011283	Bulk	21.3	11.2	38.1	19.1	25.4	23.1	19.1	41.4	49.3
12-13	1/2	1011305	Bulk	34.9	12.7	47.8	25.4	30.2	28.7	22.4	48.5	58.0
16	5/8	1011327	Bulk	48.1	14.2	60.5	31.8	33.3	34.0	23.9	52.5	63.5